

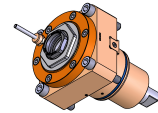
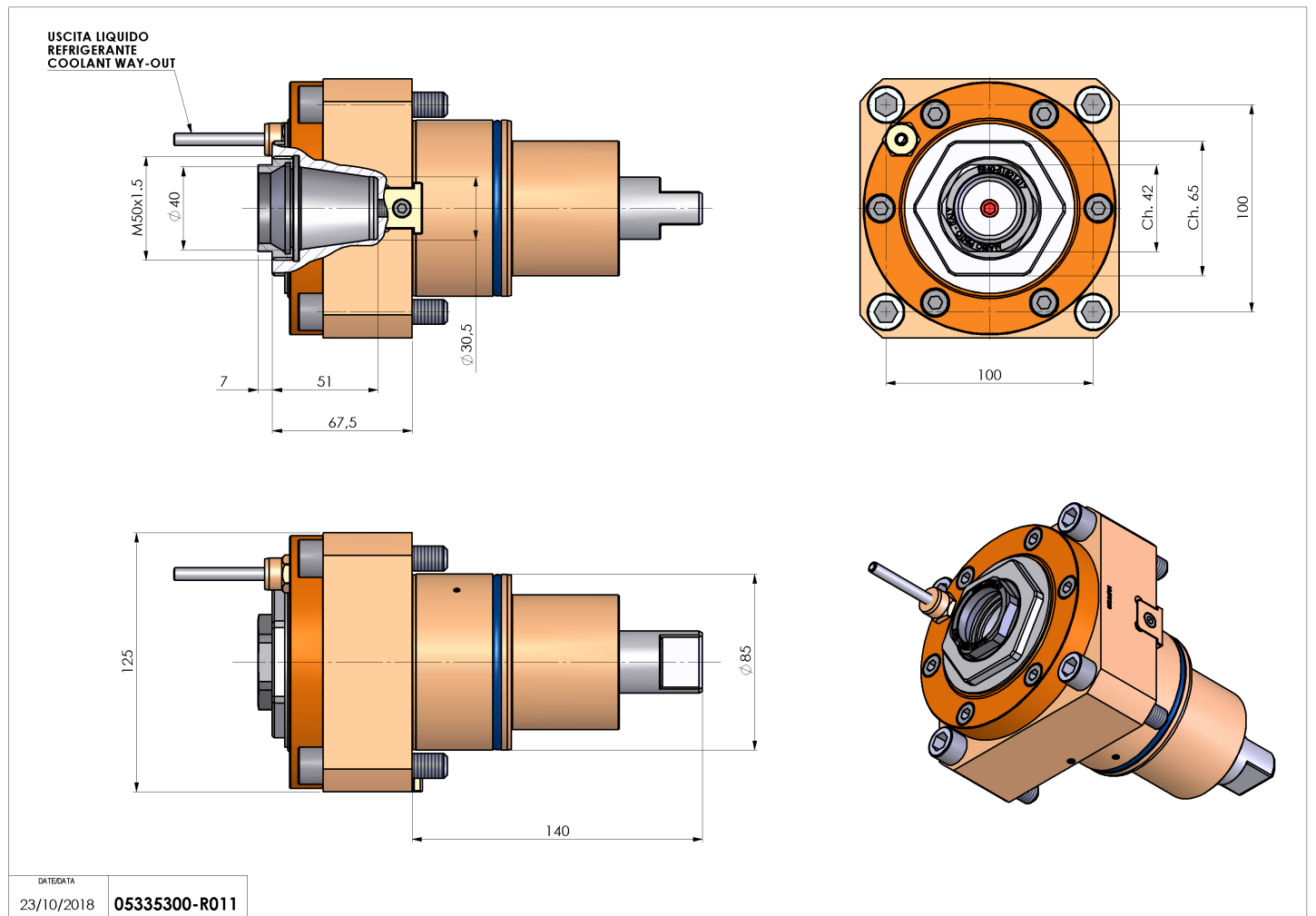


05335300 - LT-S BMT85 ER40F H68

Type	LT-S Tool holder straight
Mounting	BMT 85
Tool output	Collet nut ER 40 F - internal nut
Coolant	External coolant
Direction of rotation	r1  r2 
Max speed [rpm]	4000
Max torque [Nm]	100
Ratio	1:1
H [mm]	68
Accessories	N.A.
Notes	N.A.
Mounting tips	N.A.



Always check live tool dimensions on the turret



Subject to technical changes