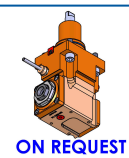
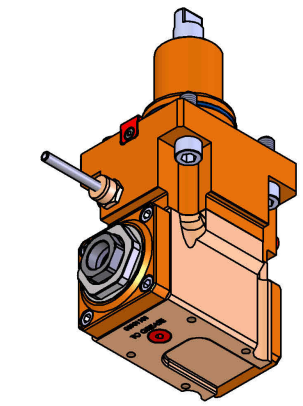
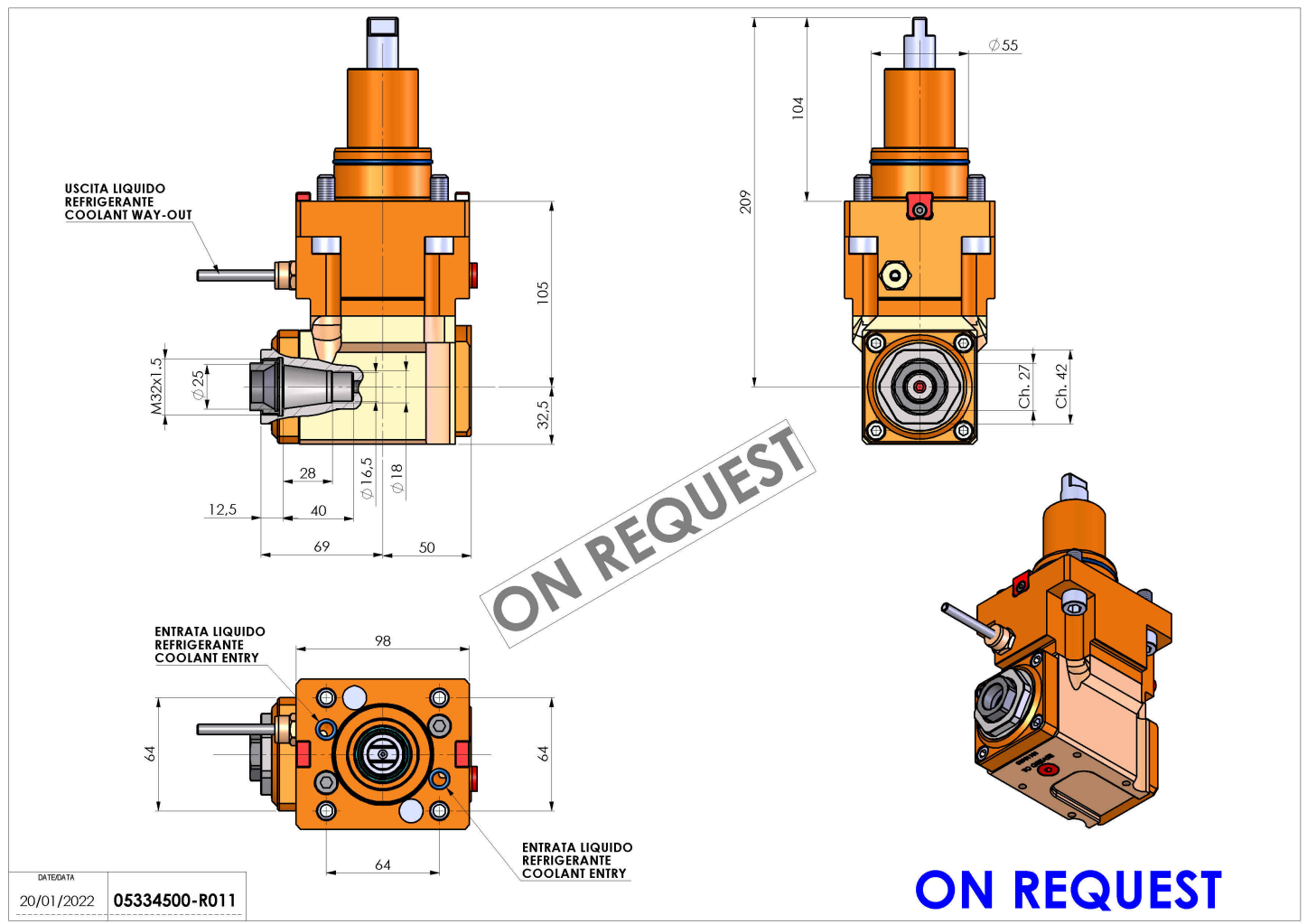


# 05334500 - LT-A BMT55 ER25F LR H105

|                       |                                   |
|-----------------------|-----------------------------------|
| Type                  | LT-A<br>Tool holder angle 90°     |
| Mounting              | BMT 55                            |
| Tool output           | Collet nut ER 25 F - internal nut |
| Coolant               | External coolant                  |
| Direction of rotation | r1 ↻ r2 ↻                         |
| Max speed [rpm]       | 6000                              |
| Max torque [Nm]       | 40                                |
| Ratio                 | 1:1                               |
| H [mm]                | 105                               |
| H1 [mm]               | 32.5                              |
| Accessories           | N.A.                              |
| Notes                 | N.A.                              |
| Mounting tips         | N.A.                              |



Always check live tool dimensions on the turret



**ON REQUEST**

Subject to technical changes