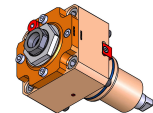
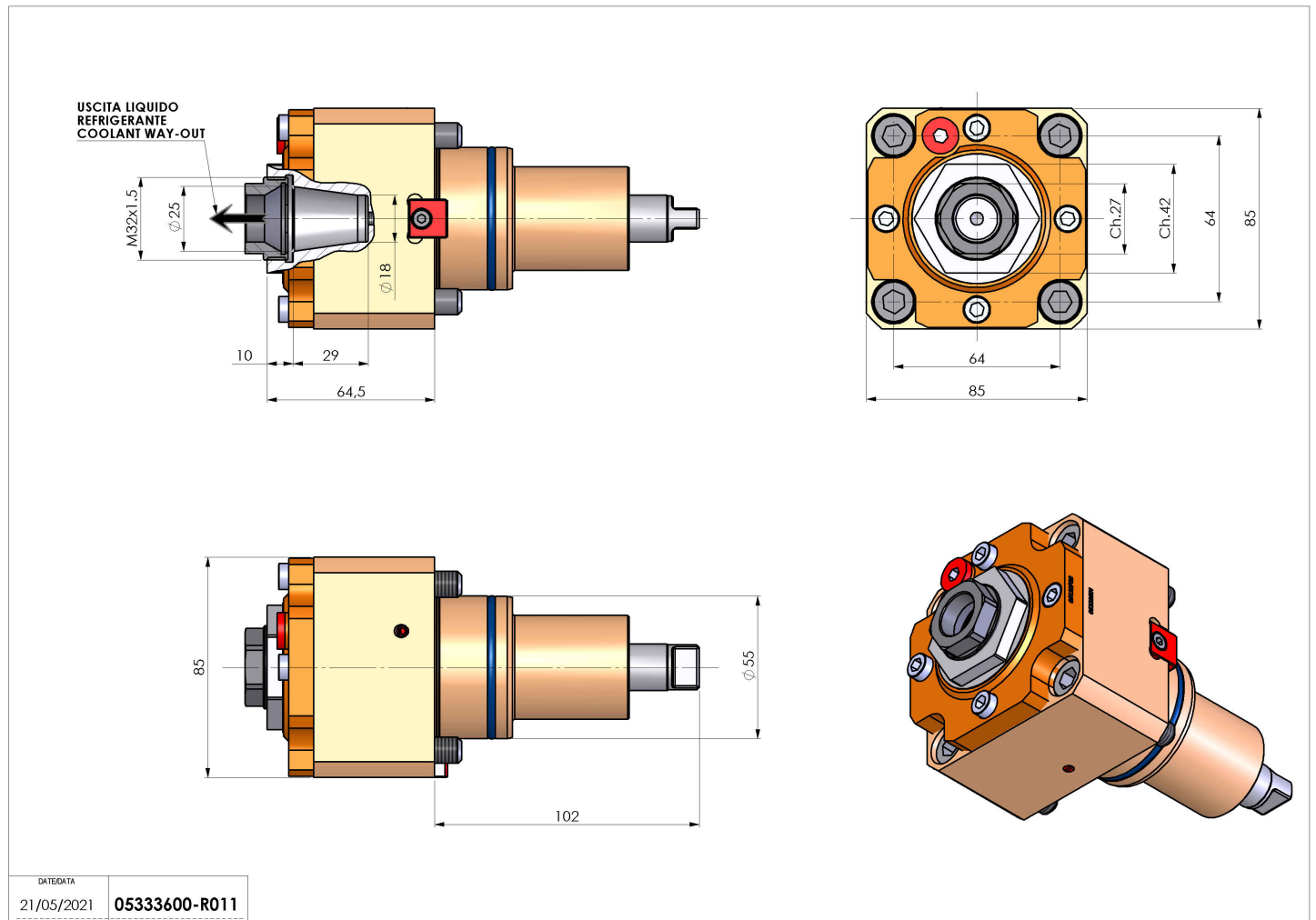


05333600 - LT-S BMT55 ER25F HRF H62.5

Type	LT-S Tool holder straight
Mounting	BMT 55
Tool output	Collet nut ER 25 F - internal nut
Coolant	HRF Internal coolant
Direction of rotation	r1 r2
Max speed [rpm]	6000
Max torque [Nm]	40
Ratio	1:1
H [mm]	62.5
Max pressure [bar]	70
Accessories	N.A.
Notes	N.A.
Mounting tips	N.A.



Always check live tool dimensions on the turret



DATE/DATE	
21/05/2021	05333600-R011

Subject to technical changes