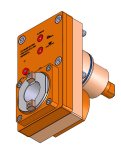
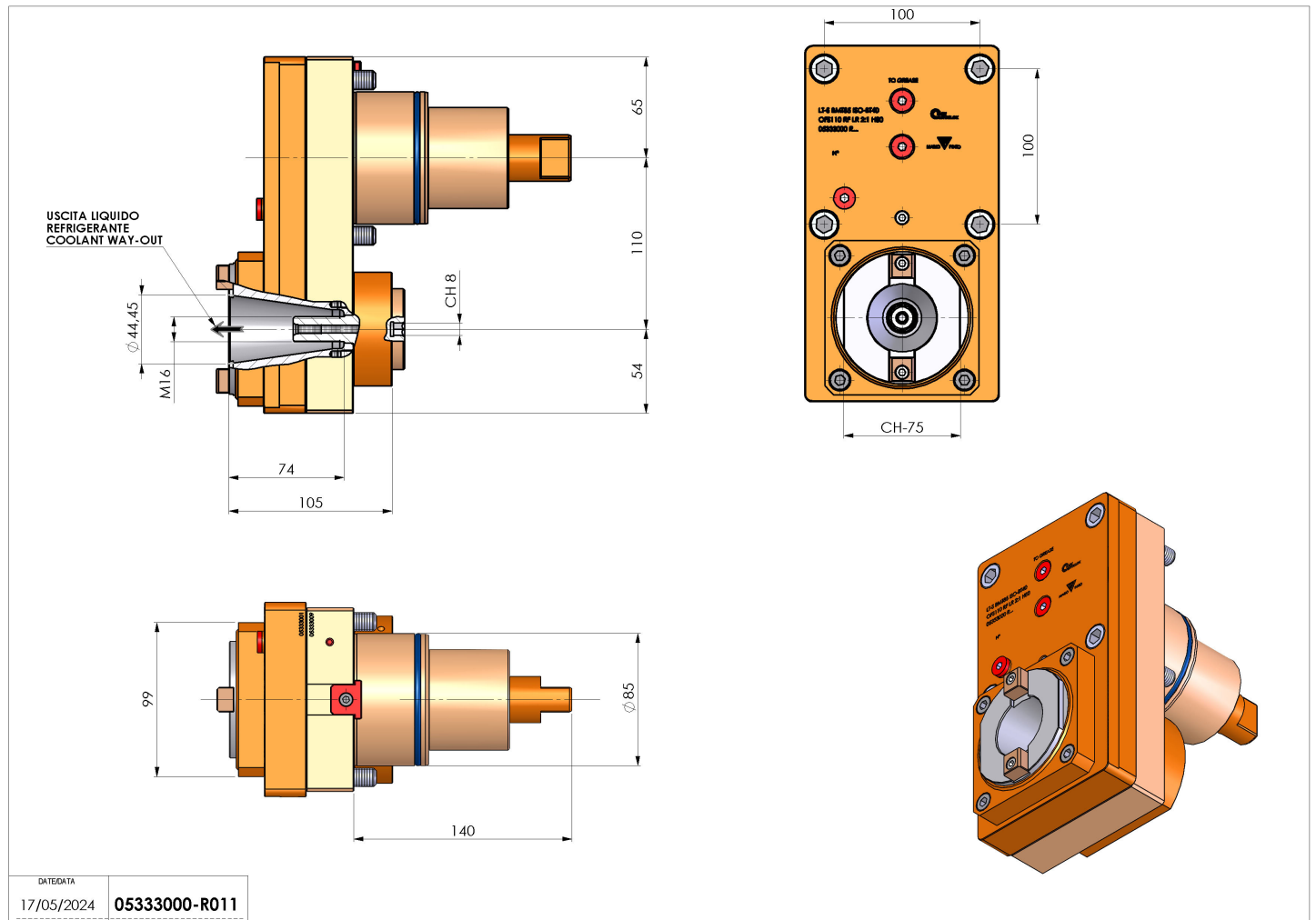


## 05333000 - LT-S BMT85 ISO-BT40 OFS110 RF LR 2:1 H80

<b>Type</b>	LT-S OFS Tool holder straight offset
<b>Mounting</b>	BMT 85
<b>Tool output</b>	Quick Change ISO-BT40
<b>Coolant</b>	Internal coolant
<b>Offset [mm]</b>	110
<b>Direction of rotation</b>	r1  r2
<b>Max speed [rpm]</b>	in 4000 / out 2000
<b>Max torque [Nm]</b>	in 90 / out 180
<b>Ratio</b>	2:1
<b>H [mm]</b>	80
<b>Max pressure [bar]</b>	20
<b>Accessories</b>	N.A.
<b>Notes</b>	N.A.
<b>Mounting tips</b>	N.A.



Always check live tool dimensions on the turret



DATE/DATE	
17/05/2024	<b>05333000-R011</b>

**Subject to technical changes**