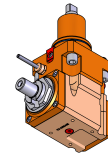
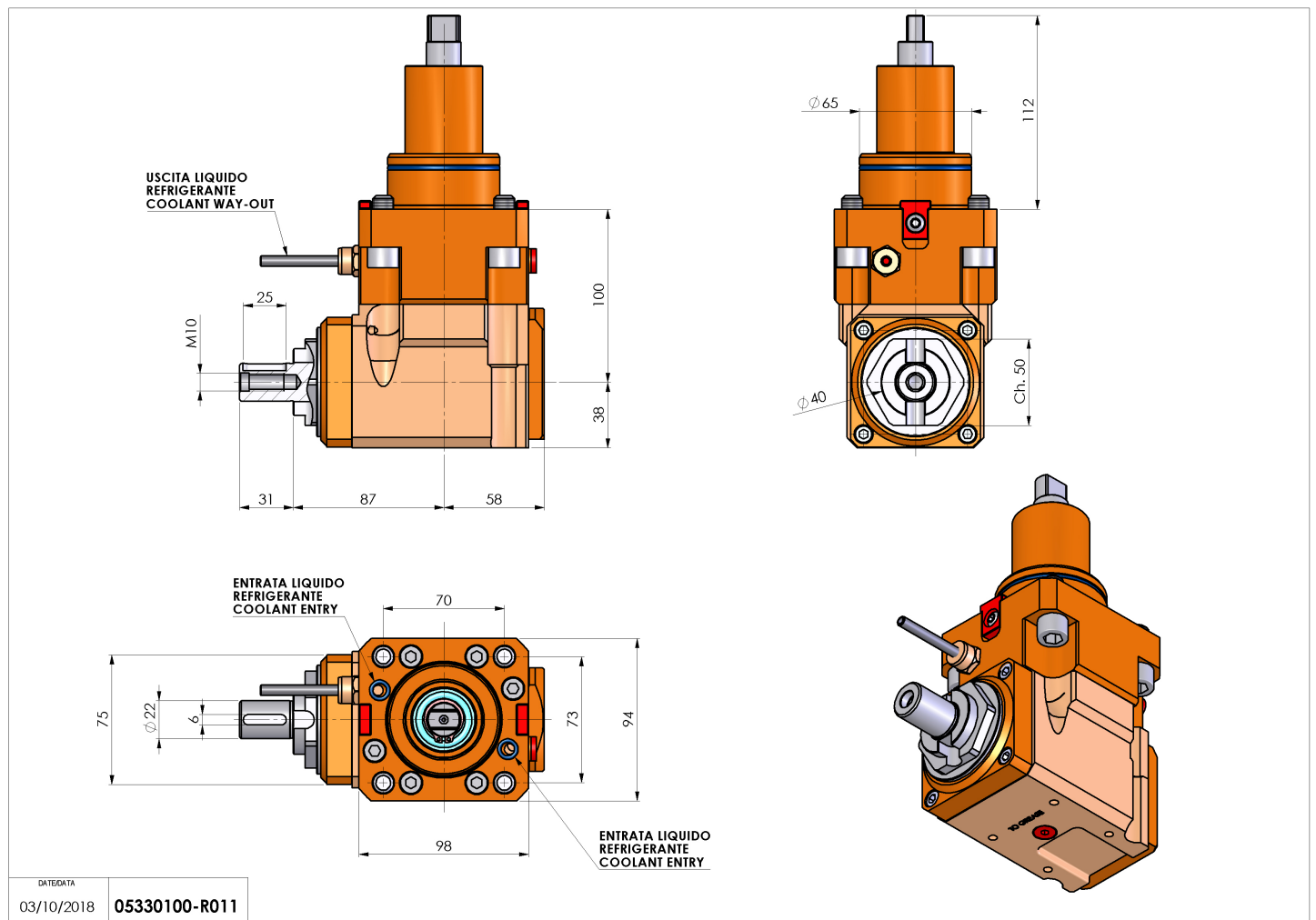


# 05330100 - LT-A BMT65 DIN138-22 L-R H100

Type	LT-A Tool holder angle 90°
Mounting	BMT 65
Tool output	Shell-Mill DIN138 22
Coolant	External coolant
Direction of rotation	r1 ↻ r2 ↻
Max speed [rpm]	6000
Max torque [Nm]	63
Ratio	1:1
H [mm]	100
H1 [mm]	38
Accessories	N.A.
Notes	N.A.
Mounting tips	N.A.



Always check live tool dimensions on the turret



DATE/DATE	03/10/2018	05330100-R011
-----------	------------	---------------

Subject to technical changes