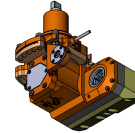
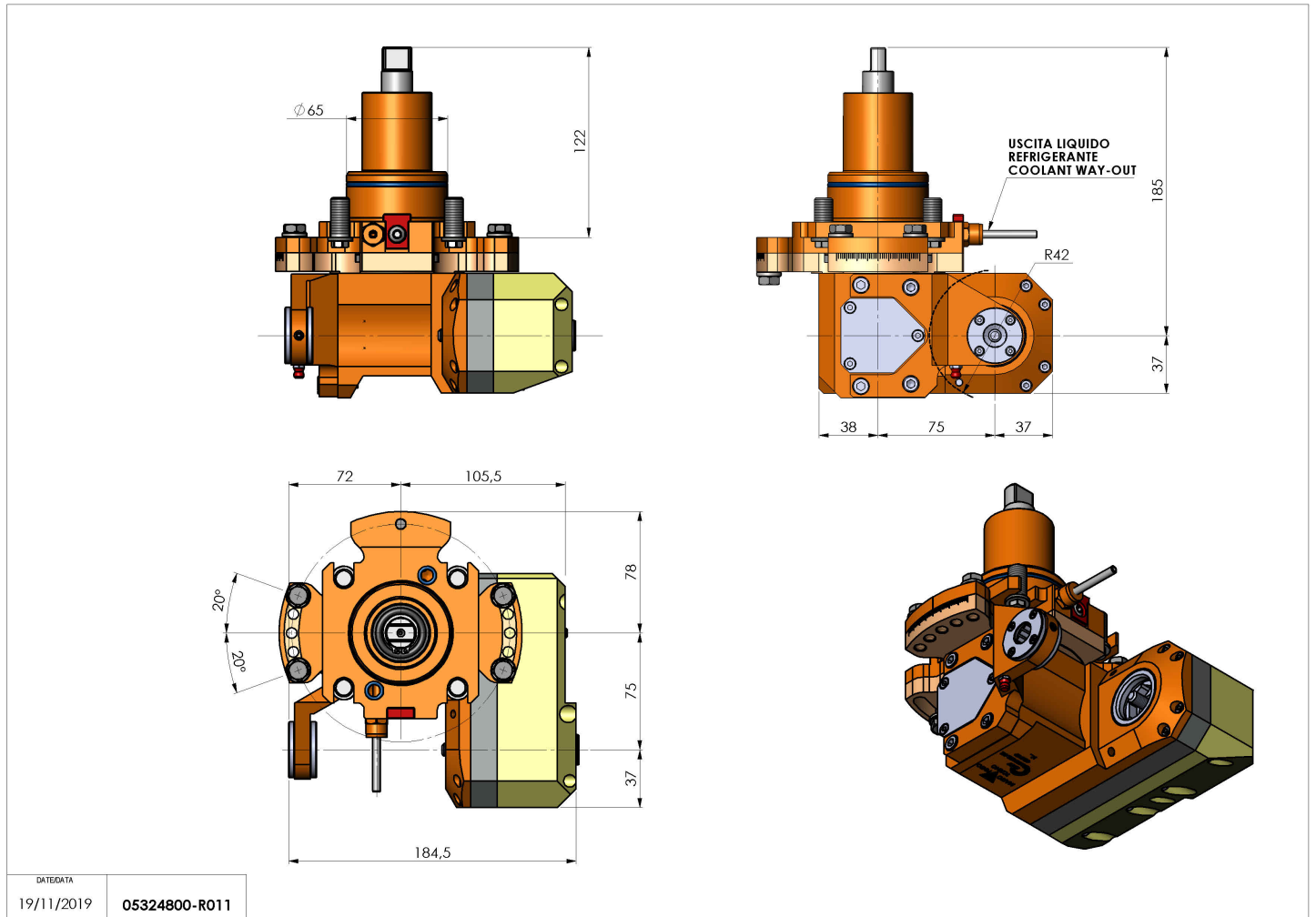


05324800 - LT-HOB-SAW BMT65 L60 1:1 H73

Type	LT-HOB-SAW Hobbing/tool holder saw
Mounting	BMT 65
Tool output	Shank kit Ø16-Ø22-Ø27
Coolant	External coolant
Max speed [rpm]	6000
Max torque [Nm]	60
Ratio	1:1
H [mm]	73
H1 [mm]	40
Accessories	N.A.
Notes	N.A.
Mounting tips	N.A.



Always check live tool dimensions on the turret



DATE/DATE	19/11/2019	05324800-R011
-----------	------------	---------------

Subject to technical changes