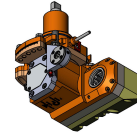
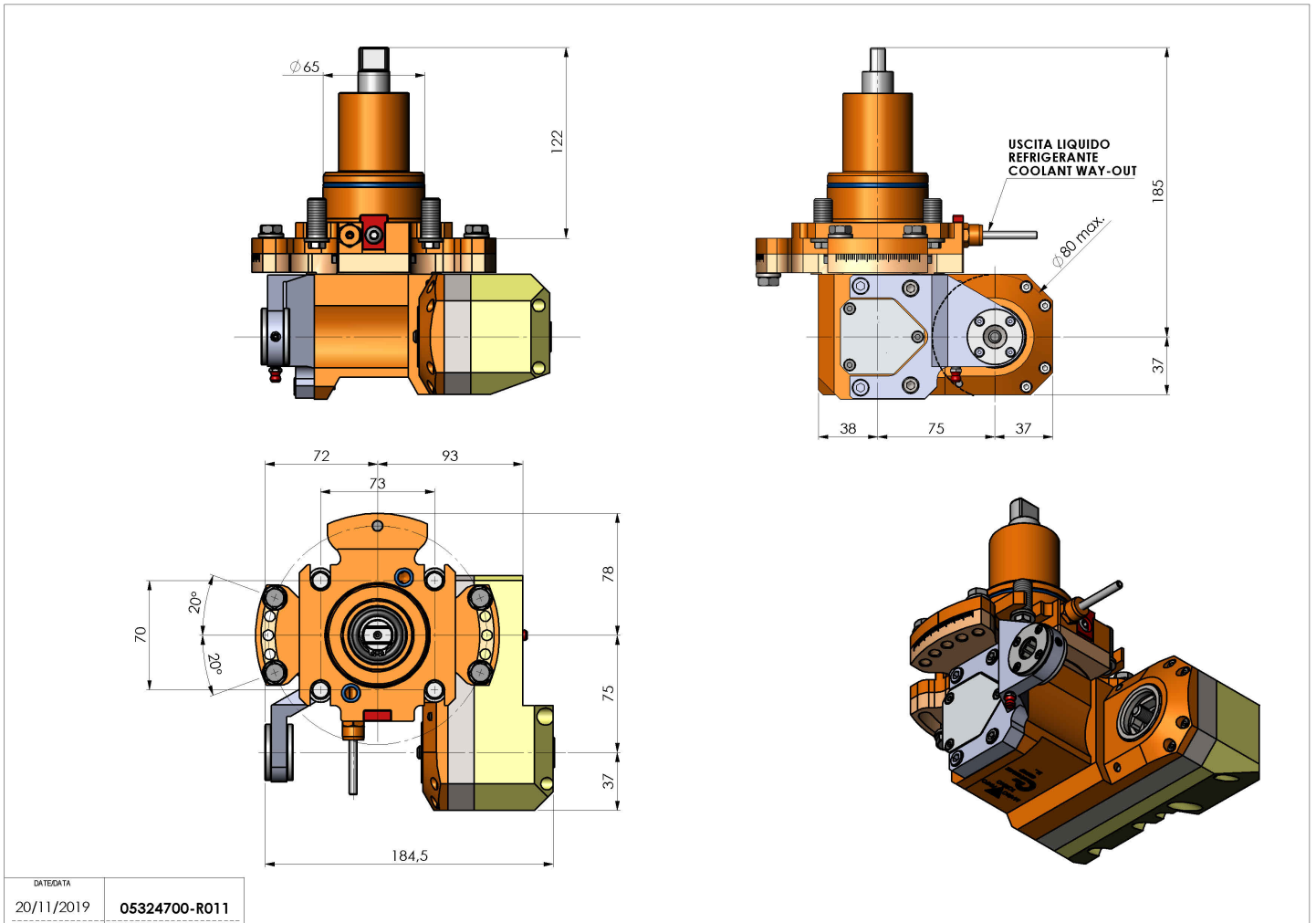


05324700 - LT-HOB-SAW BMT65 L60 2,5:1 H73

Type	LT-HOB-SAW Hobbing/tool holder saw
Mounting	BMT 65
Tool output	Shank kit Ø16-Ø22-Ø27
Coolant	External coolant
Max speed [rpm]	in 6000 / out 2400
Max torque [Nm]	in 24 / out 60
Ratio	2.5:1
H [mm]	73
H1 [mm]	40
Accessories	N.A.
Notes	N.A.
Mounting tips	N.A.



Always check live tool dimensions on the turret



DATE/GRA	
20/11/2019	05324700-R011

Subject to technical changes