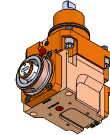
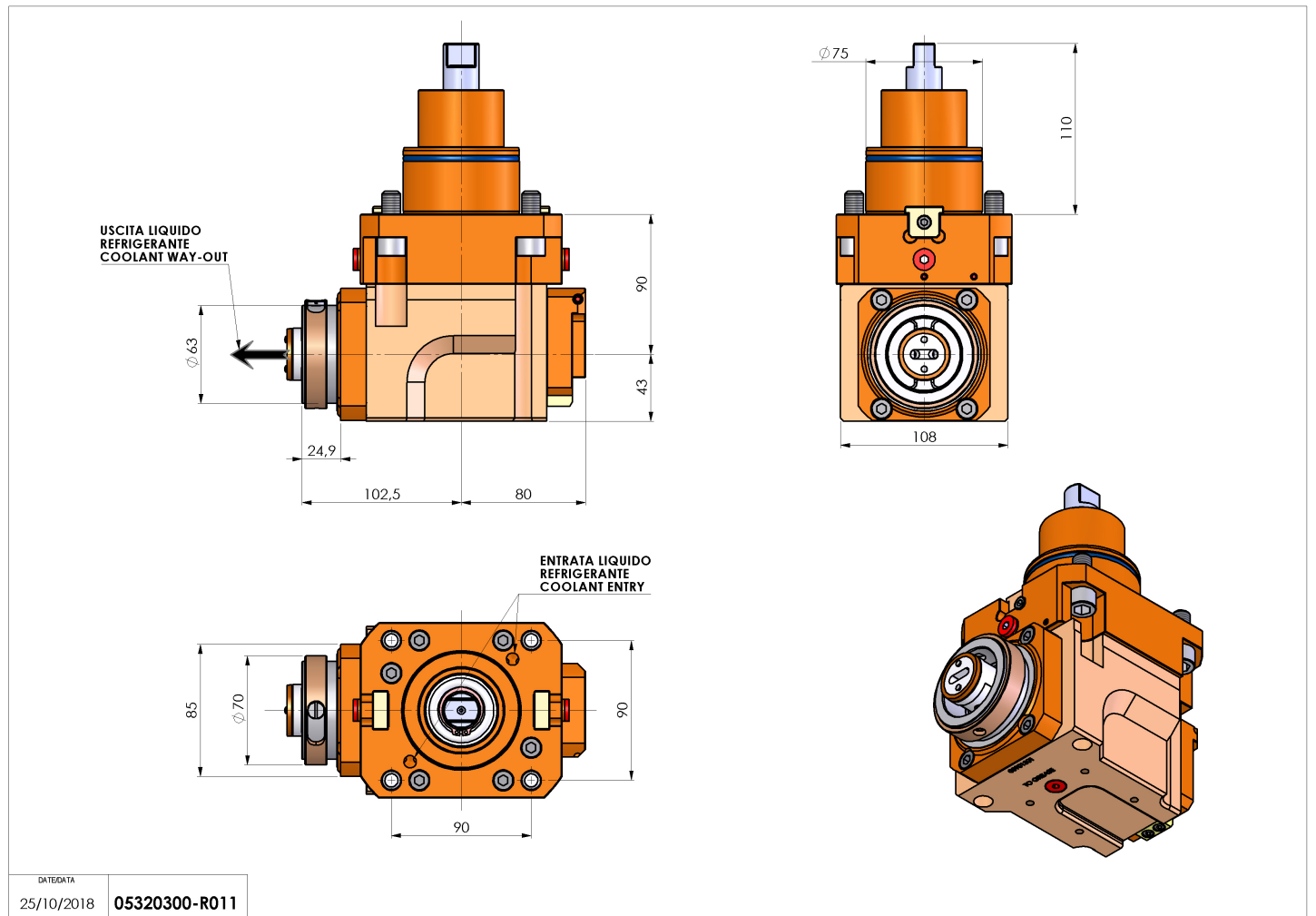


05320300 - LT-A BMT75 HSK63 LR HS HRF H90

Type	LT-A Tool holder angle 90°
Mounting	BMT 75
Tool output	Quick Change HSK63
Coolant	HRF Internal coolant
Direction of rotation	r1 ↻ r2 ↻
Max speed [rpm]	4000
Max torque [Nm]	80
Ratio	1:1
H [mm]	90
H1 [mm]	43
Max pressure [bar]	80
Accessories	N.A.
Notes	N.A.
Mounting tips	N.A.



Always check live tool dimensions on the turret



DATE/DATE: 25/10/2018 05320300-R011

Subject to technical changes