

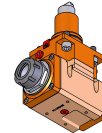
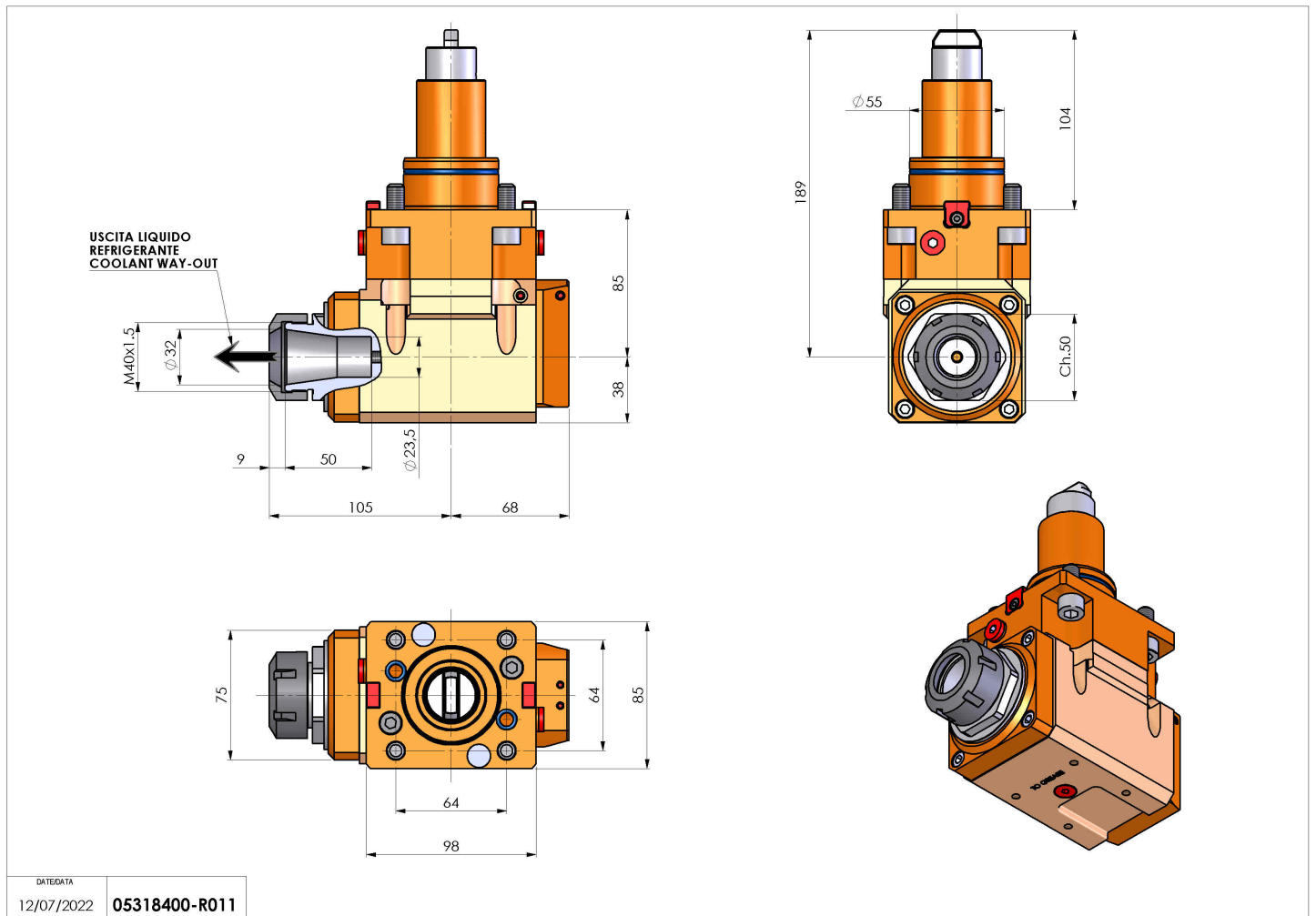


## 05318400 - LT-A BMT55 BD ER32 LR RF 2:1 H85

|                              |   |
|------------------------------|---|
| <b>Type</b>                  | LT-A<br>Tool holder angle 90°   |
| <b>Mounting</b>              | BMT 55 BIG DRIVE  |
| <b>Tool output</b>           | Collet nut ER 32  |
| <b>Coolant</b>               | Internal coolant  |
| <b>Direction of rotation</b> | r1  r2  |
| <b>Max speed [rpm]</b>       | in 6000 / out 3000  |
| <b>Max torque [Nm]</b>       | in 70 / out 140   |
| <b>Ratio</b>                 | 2:1   |
| <b>H [mm]</b>                | 85  |
| <b>H1 [mm]</b>               | 38  |
| <b>Max pressure [bar]</b>    | 20  |
| <b>Accessories</b>           | N.A.  |
| <b>Notes</b>                 | N.A.  |
| <b>Mounting tips</b>         | N.A.  |



Always check live tool dimensions on the turret



DATE/DATA  
12/07/2022 05318400-R011

Subject to technical changes