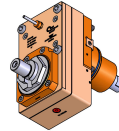
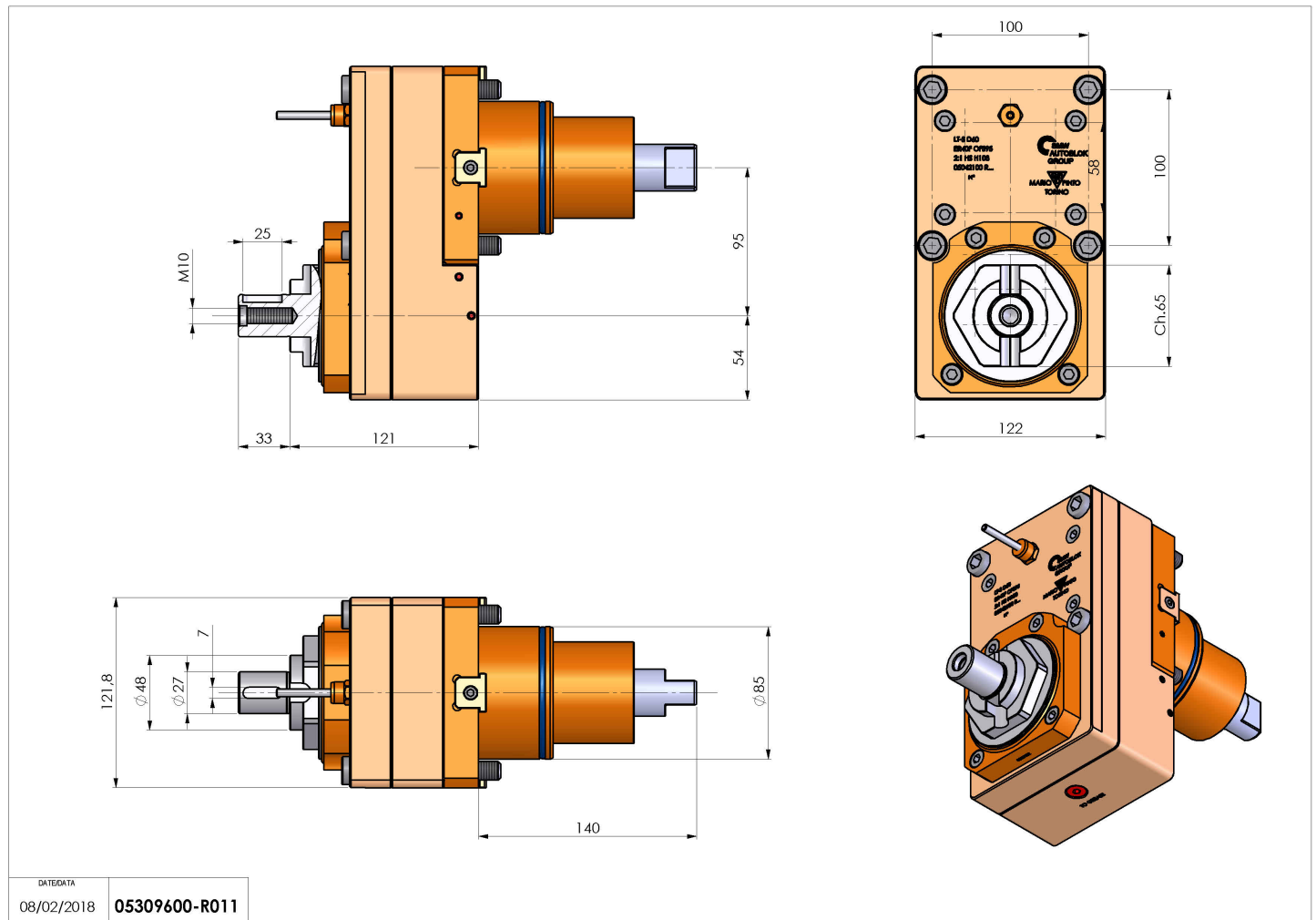


05309600 - LTS BMT85 138-27OFS952:1H121AY

| | |
|------------------------------|---|
| Type | LT-S OFS Tool holder straight offset |
| Mounting | BMT 85 |
| Tool output | Shell-Mill DIN138 27 |
| Coolant | External coolant |
| Offset [mm] | 95 |
| Direction of rotation | r1 ↻ r2 ↻ |
| Max speed [rpm] | 6000 |
| Max torque [Nm] | 50 |
| Ratio | 2:1 |
| H [mm] | 121 |
| Accessories | N.A. |
| Notes | N.A. |
| Mounting tips | N.A. |



Always check live tool dimensions on the turret



DATE/DATE
08/02/2018 05309600-R011

Subject to technical changes