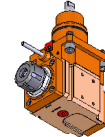
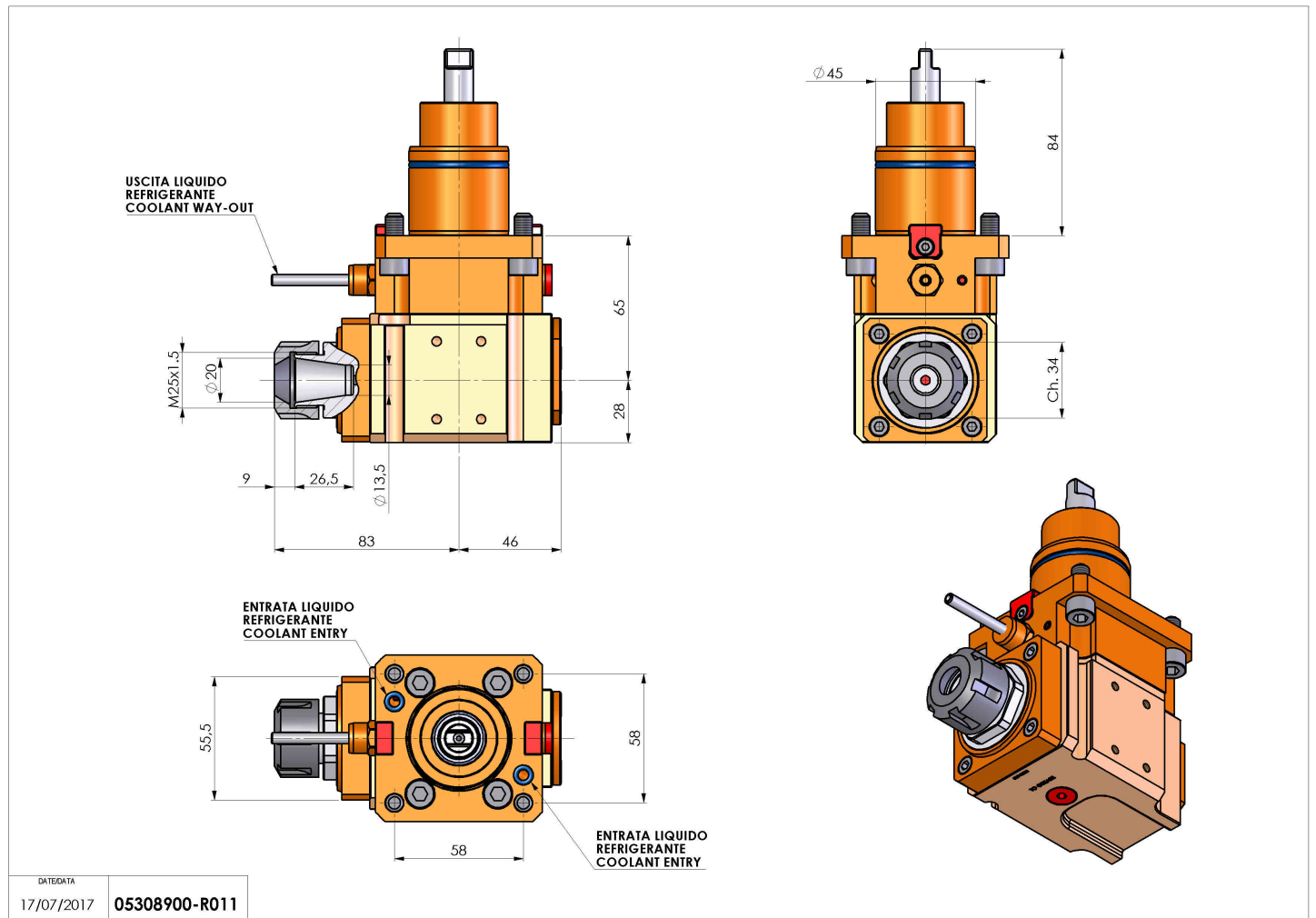


05308900 - LT-A BMT45 ER20 1:2 LR H65

| | |
|------------------------------|-------------------------------|
| Type | LT-A Tool holder angle 90° |
| Mounting | BMT 45 |
| Tool output | Collet nut ER 20 |
| Coolant | External coolant |
| Direction of rotation | r1 ↻ r2 ↻ |
| Max speed [rpm] | in 6000 / out 12000 |
| Max torque [Nm] | in 10 / out 5 |
| Ratio | 1:2 |
| H [mm] | 65 |
| H1 [mm] | 28 |
| Accessories | N.A. |
| Notes | N.A. |
| Mounting tips | Main and secondary spindle |



Always check live tool dimensions on the turret



Subject to technical changes