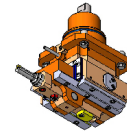
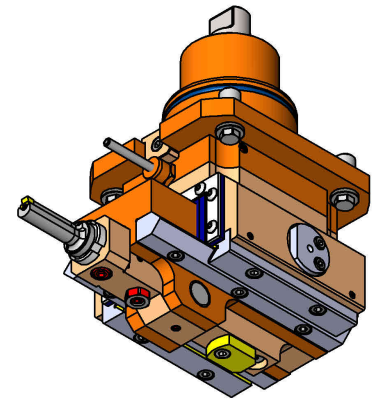
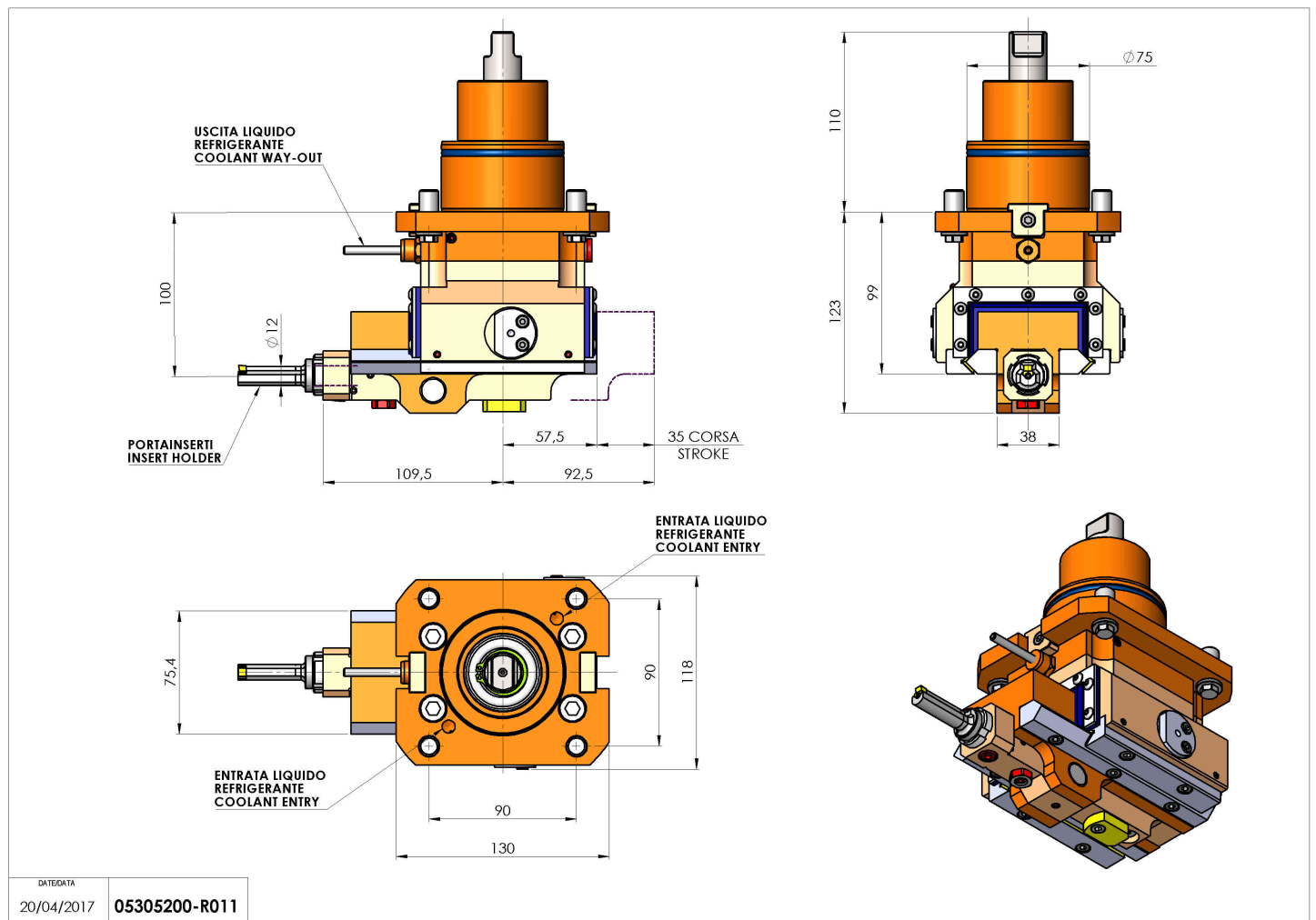


05305200 - LT-A ST-35 BMT75 C12 CR-AY H10

| | |
|----------------------------|------------------------------|
| Type | LT-A ST Slotting tool 90° |
| Mounting | BMT 75 |
| Tool output | Tool diameter 12 |
| Coolant | External coolant |
| Max speed [rpm] | 700 |
| Max torque [Nm] | 17,5 |
| Ratio | 1:1 |
| Y axis adjustment | SI |
| Feed pushing [N] | 1000 |
| Stroke [mm] | 35 |
| Work stroke [mm] | 30 |
| Y axis adjust. [mm] | ±0,4 |
| H [mm] | 100 |
| Accessories | N.A. |
| Notes | N.A. |
| Mounting tips | N.A. |



Always check live tool dimensions on the turret



DATE/DATA: 20/04/2017
05305200-R011

Subject to technical changes