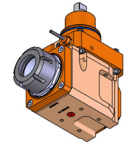
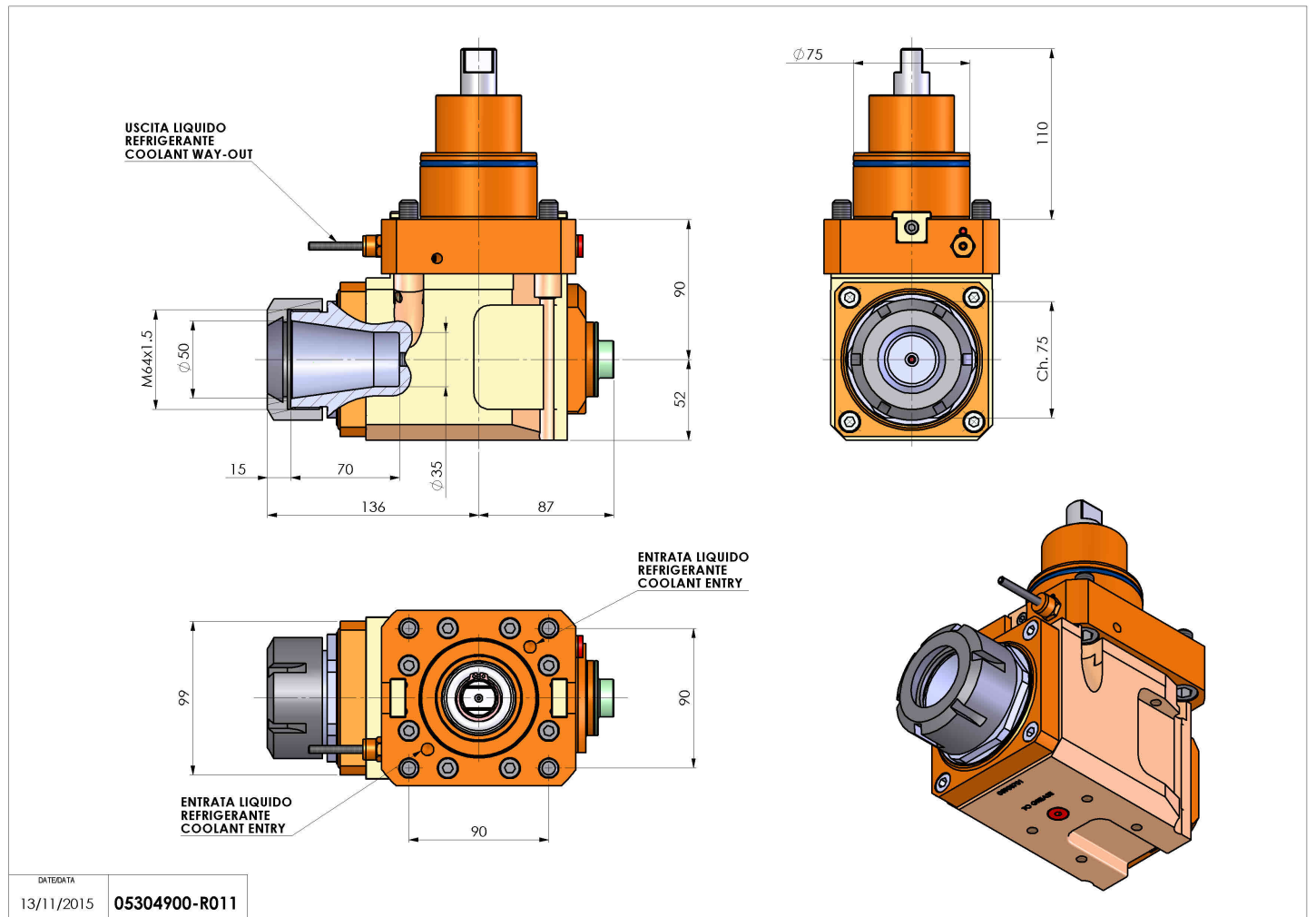


05304900 - LT-A BMT75 ER50 LR 2:1 H90

| | |
|------------------------------|-------------------------------|
| Type | LT-A Tool holder angle 90° |
| Mounting | BMT 75 |
| Tool output | Collet nut ER 50 |
| Coolant | External coolant |
| Direction of rotation | r1 ↻ r2 ↻ |
| Max speed [rpm] | in 4000 / out 2000 |
| Max torque [Nm] | in 60 / out 120 |
| Ratio | 2:1 |
| H [mm] | 90 |
| H1 [mm] | 52 |
| Accessories | N.A. |
| Notes | N.A. |
| Mounting tips | N.A. |



Always check live tool dimensions on the turret



Subject to technical changes