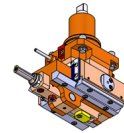
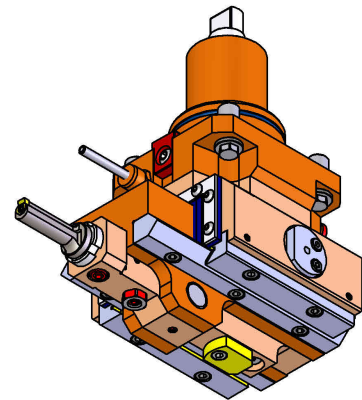
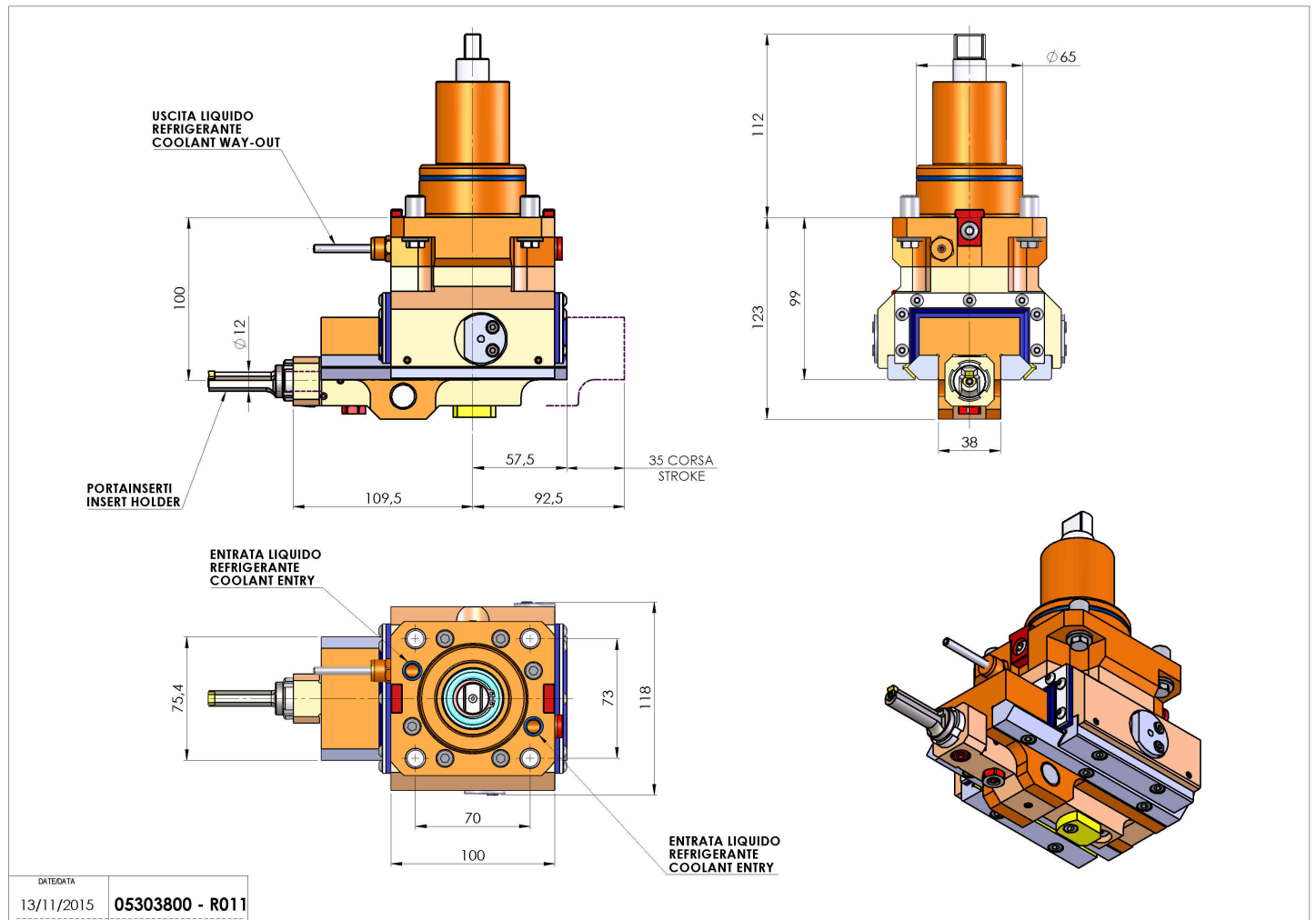


05303800 - LT-A ST35 BMT65 C12 CR-AY H100

Type	LT-A ST Slotting tool 90°
Mounting	BMT 65
Tool output	Tool diameter 12
Coolant	External coolant
Max speed [rpm]	700
Max torque [Nm]	17,5
Ratio	1:1
Y axis adjustment	SI
Feed pushing [N]	1000
Stroke [mm]	35
Work stroke [mm]	30
Y axis adjust. [mm]	±0,4
H [mm]	100
Accessories	N.A.
Notes	N.A.
Mounting tips	N.A.



Always check live tool dimensions on the turret



DATE/DATE: 13/11/2015
05303800 - R011

Subject to technical changes