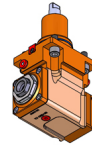
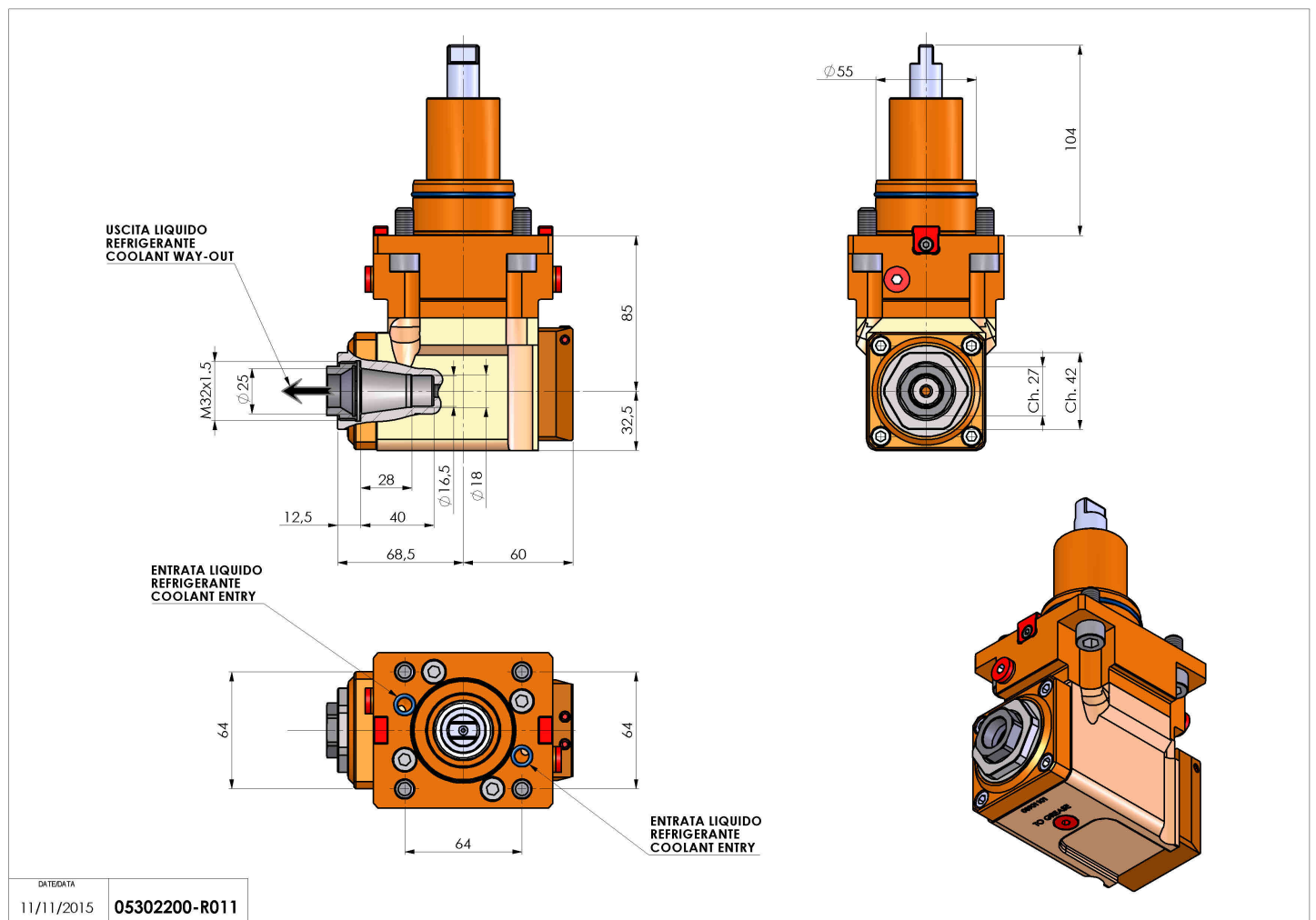


05302200 - LT-A BMT55 ER25F RF H85

| | |
|-----------------------|-----------------------------------|
| Type | LT-A Tool holder angle 90° |
| Mounting | BMT 55 |
| Tool output | Collet nut ER 25 F - internal nut |
| Coolant | Internal coolant |
| Direction of rotation | r1 ↻ r2 ↻ |
| Max speed [rpm] | 6000 |
| Max torque [Nm] | 40 |
| Ratio | 1:1 |
| H [mm] | 85 |
| H1 [mm] | 32,5 |
| Max pressure [bar] | 20 |
| Accessories | N.A. |
| Notes | N.A. |
| Mounting tips | N.A. |



Always check live tool dimensions on the turret



| | |
|------------|---------------|
| DATE/DATE | 05302200-R011 |
| 11/11/2015 | |

Subject to technical changes