

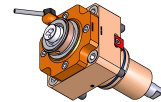
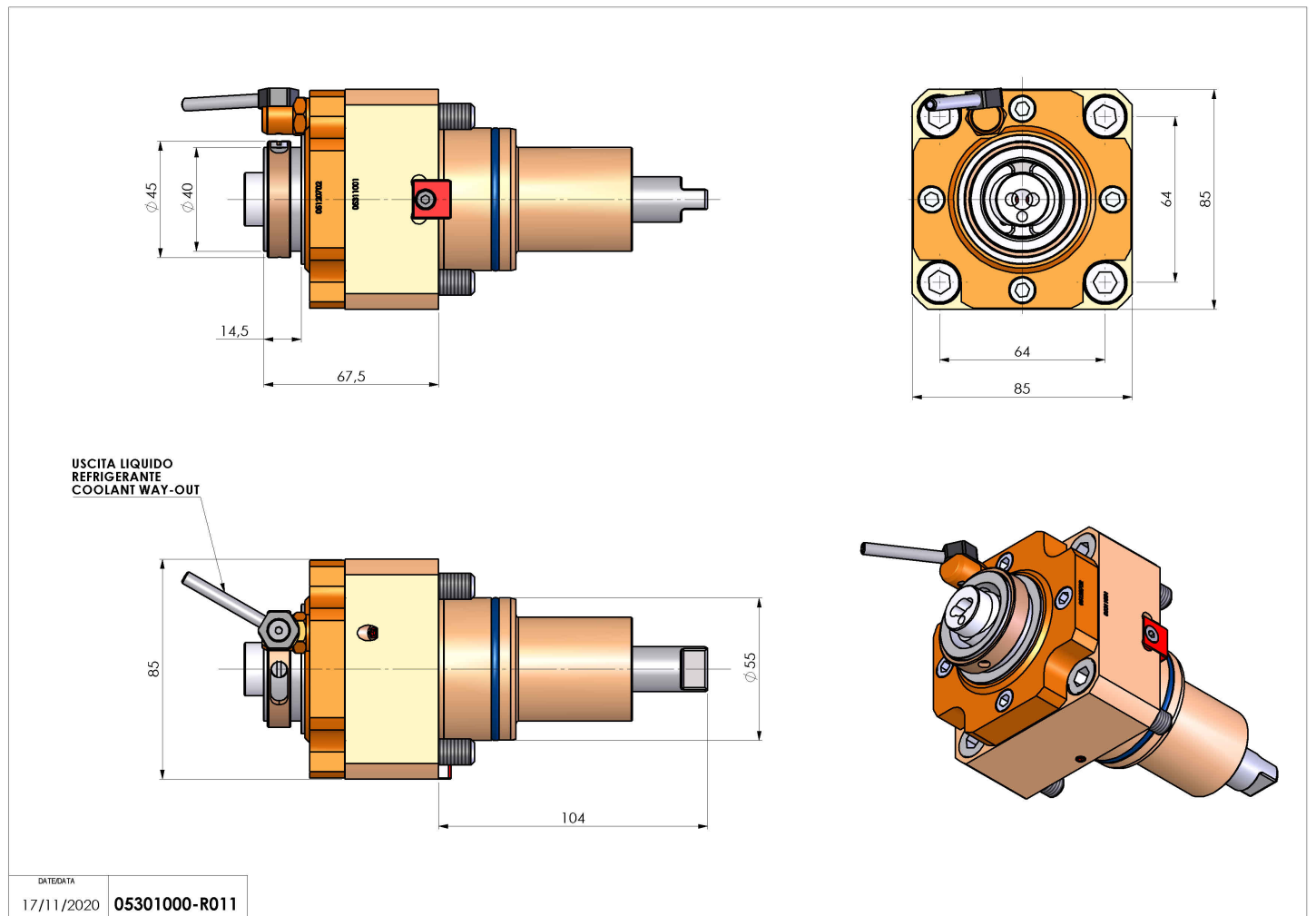


05301000 - LT-S BMT55 HSK40 H67,5

Type	LT-S Tool holder straight
Mounting	BMT 55
Tool output	Quick Change HSK40
Coolant	External coolant
Direction of rotation	r1  r2 
Max speed [rpm]	6000
Max torque [Nm]	40
Ratio	1:1
H [mm]	64
Accessories	
Notes	N.A.
Mounting tips	N.A.



Always check live tool dimensions on the turret



DATE/DATE	05301000-R011
17/11/2020	

Subject to technical changes