

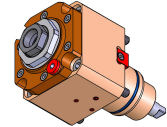
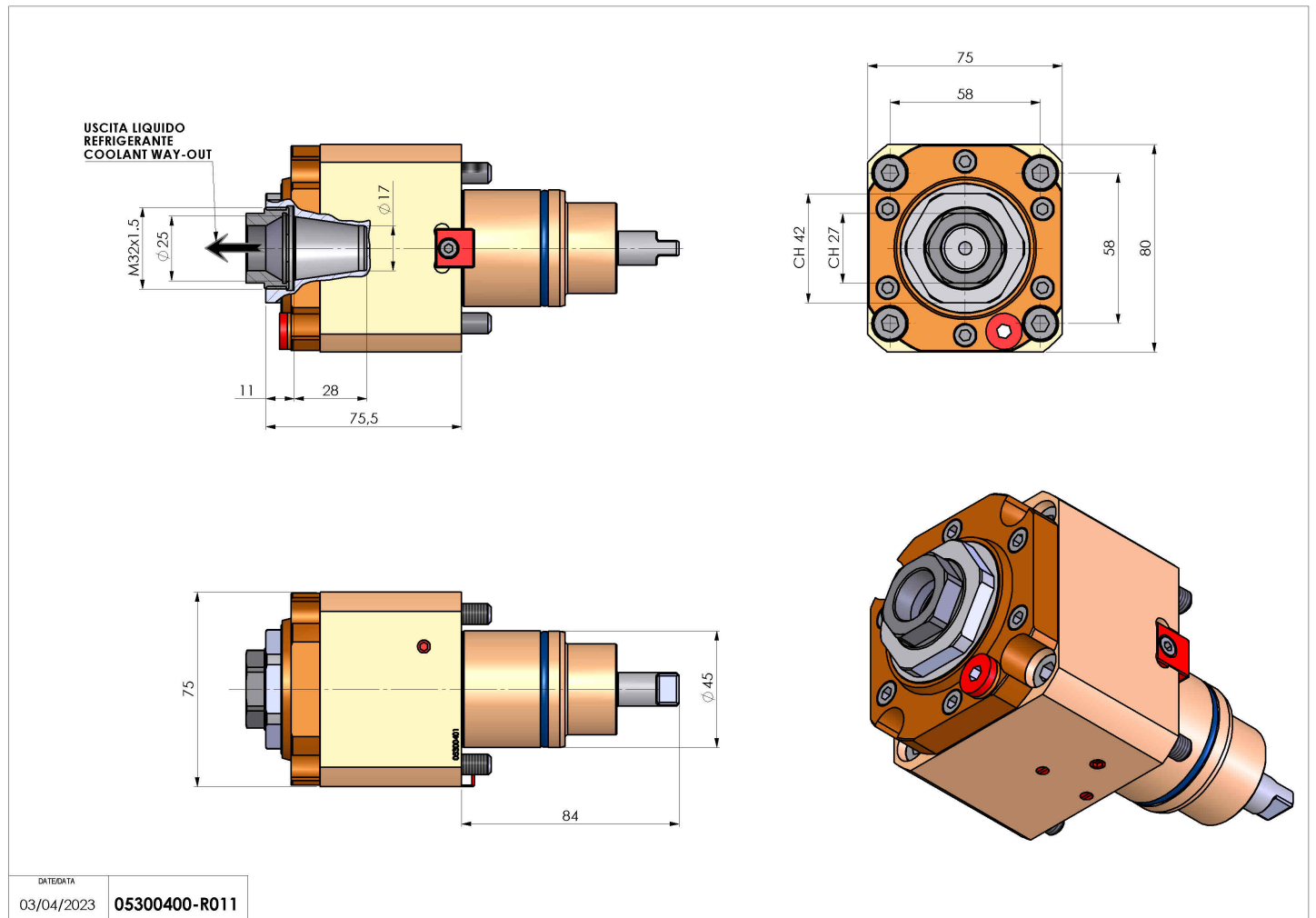


## 05300400 - LT-S BMT45 ER25F HRF H75.5

<b>Type</b>	LT-S Tool holder straight
<b>Mounting</b>	BMT 45
<b>Tool output</b>	Collet nut ER 25 F - internal nut
<b>Coolant</b>	HRF Internal coolant
<b>Direction of rotation</b>	r1  r2 
<b>Max speed [rpm]</b>	6000
<b>Max torque [Nm]</b>	25
<b>Ratio</b>	1:1
<b>H [mm]</b>	75.5
<b>Max pressure [bar]</b>	70
<b>Accessories</b>	N.A.
<b>Notes</b>	N.A.
<b>Mounting tips</b>	N.A.



Always check live tool dimensions on the turret



DATE/DATE  
03/04/2023 05300400-R011

Subject to technical changes