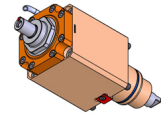
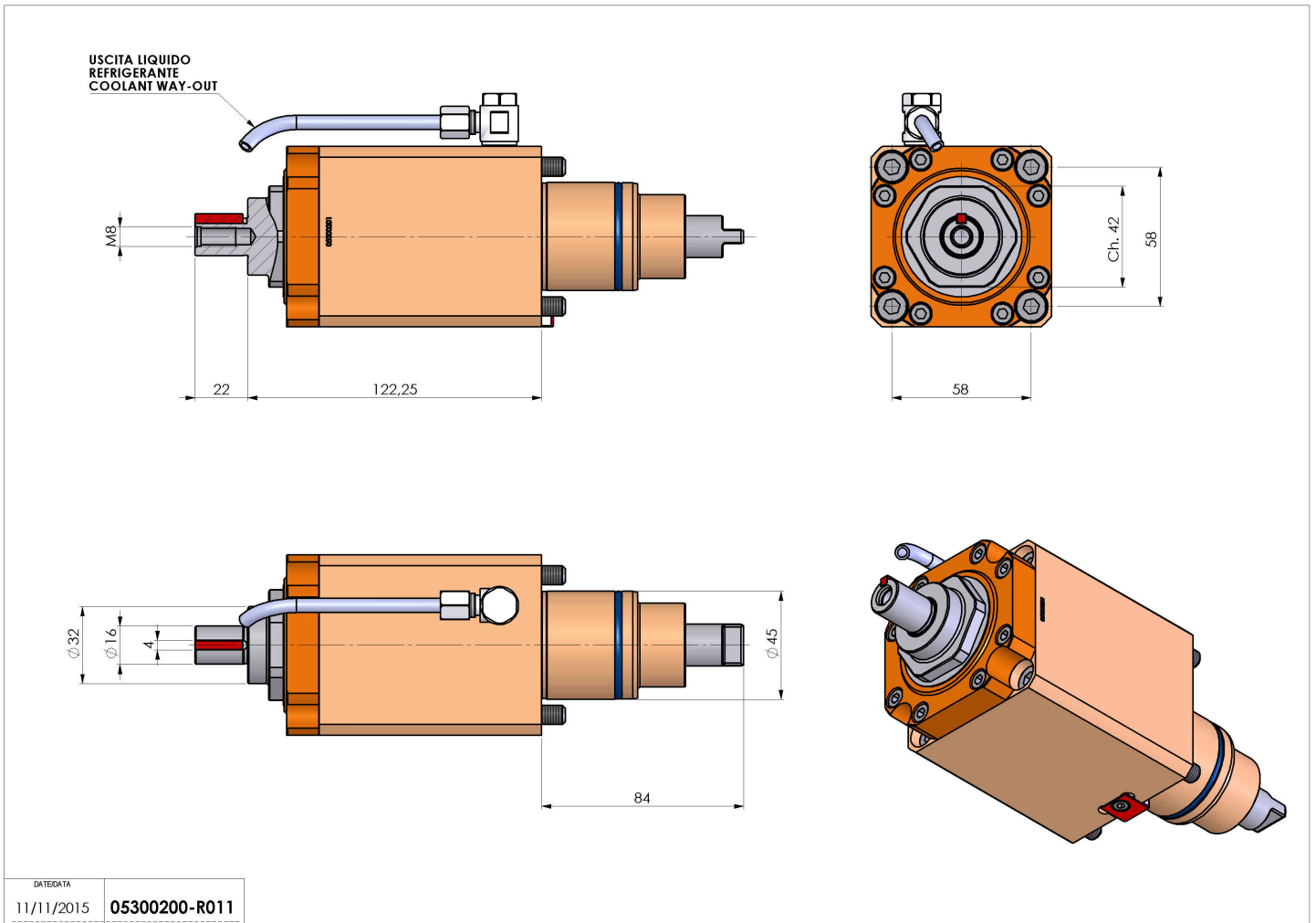


05300200 - LT-S BMT45 P-FR D16 H122.25

Type	LT-S Tool holder straight
Mounting	BMT 45
Tool output	Tool diameter 16
Coolant	External coolant
Direction of rotation	r1 r2
Max speed [rpm]	6000
Max torque [Nm]	25
Ratio	1:1
H [mm]	122,25
Accessories	
Notes	N.A.
Mounting tips	N.A.



Always check live tool dimensions on the turret



DATE/DATE	
11/11/2015	05300200-R011

Subject to technical changes