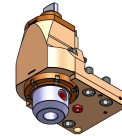
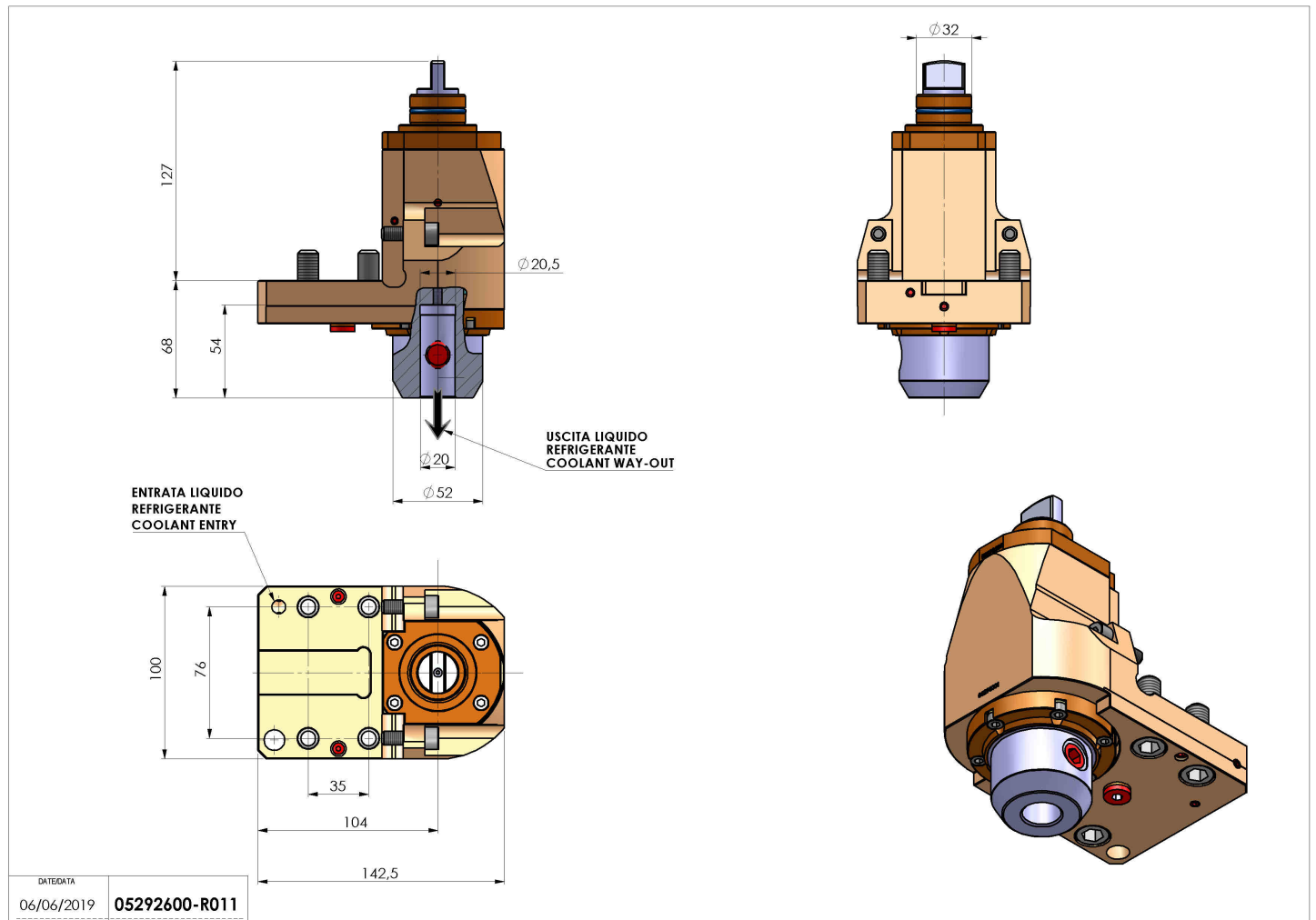


05292700 - LT-S D32 WELDON20 HS H68

Type	LT-S Tool holder straight
Mounting	CYLINDRICAL SHANK 32
Tool output	Weldon 20 DIN1835B
Coolant	Internal coolant
Direction of rotation	r1 ↻ r2 ↻
Max speed [rpm]	12000
Max torque [Nm]	70
Ratio	1:1
H [mm]	68
Max pressure [bar]	20
Accessories	N.A.
Notes	N.A.
Mounting tips	N.A.



Always check live tool dimensions on the turret



DATE/DATE: 06/06/2019
05292600-R011

Subject to technical changes