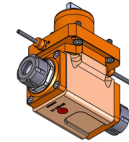
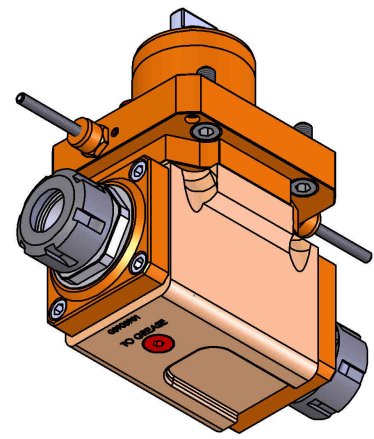
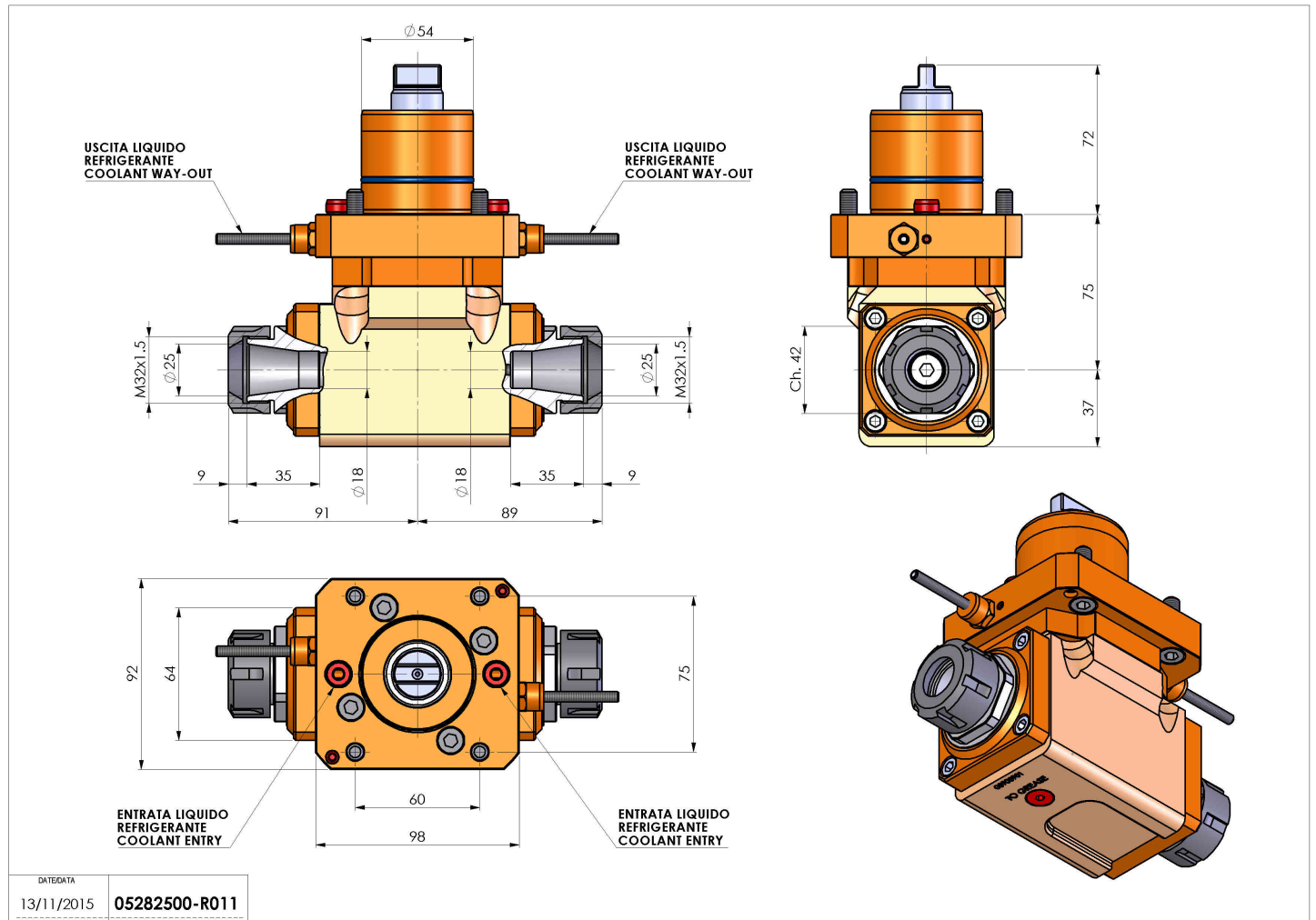


05282500 - LT-A D54 ER25-25 H75 MY

Type	LT-A DBL Tool holder double angle 90°
Mounting	CYLINDRICAL SHANK 54
Tool output	Collet nut ER 25
Coolant	External coolant
Direction of rotation	
Max speed [rpm]	6000
Max torque [Nm]	40
Ratio	1:1
H [mm]	75
H1 [mm]	37
Accessories	N.A.
Notes	N.A.
Mounting tips	N.A.



Always check live tool dimensions on the turret



DATE/DATA	13/11/2015
PART NUMBER	05282500-R011

Subject to technical changes