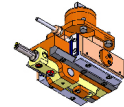
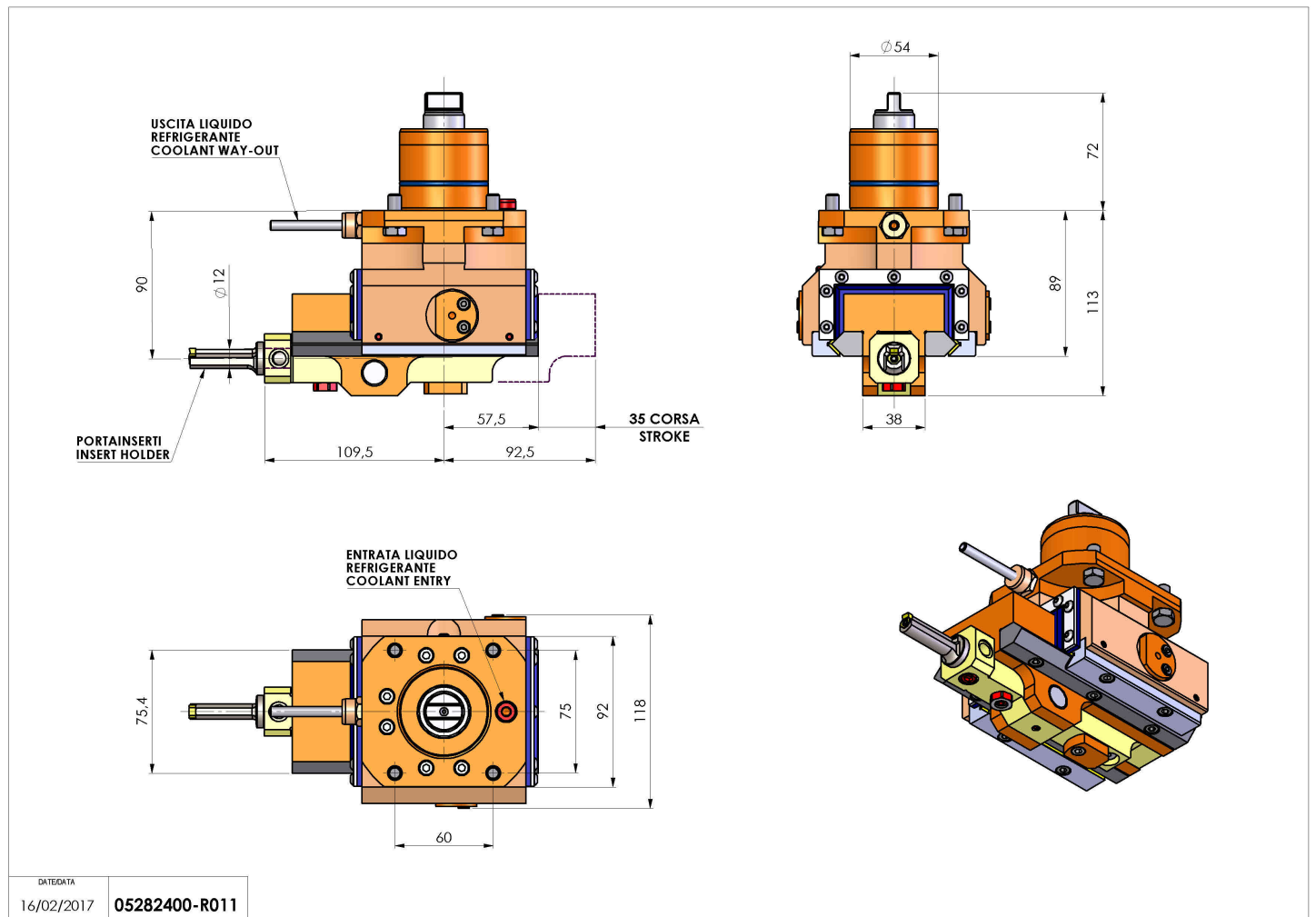


05282400 - LT-A ST35 D54 C12 H90 MY

| | |
|-------------------|------------------------------|
| Type | LT-A ST Slotting tool 90° |
| Mounting | CYLINDRICAL SHANK 54 |
| Tool output | Tool diameter 12 |
| Coolant | External coolant |
| Max speed [rpm] | 700 |
| Max torque [Nm] | 17,5 |
| Ratio | 1:1 |
| Y axis adjustment | NO |
| Feed pushing [N] | 1000 |
| Stroke [mm] | 35 |
| Work stroke [mm] | 30 |
| H [mm] | 90 |
| Accessories | N.A. |
| Notes | N.A. |
| Mounting tips | Main spindle only |



Always check live tool dimensions on the turret



DATE/DATE
16/02/2017 05282400-R011

Subject to technical changes