
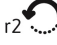
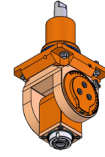
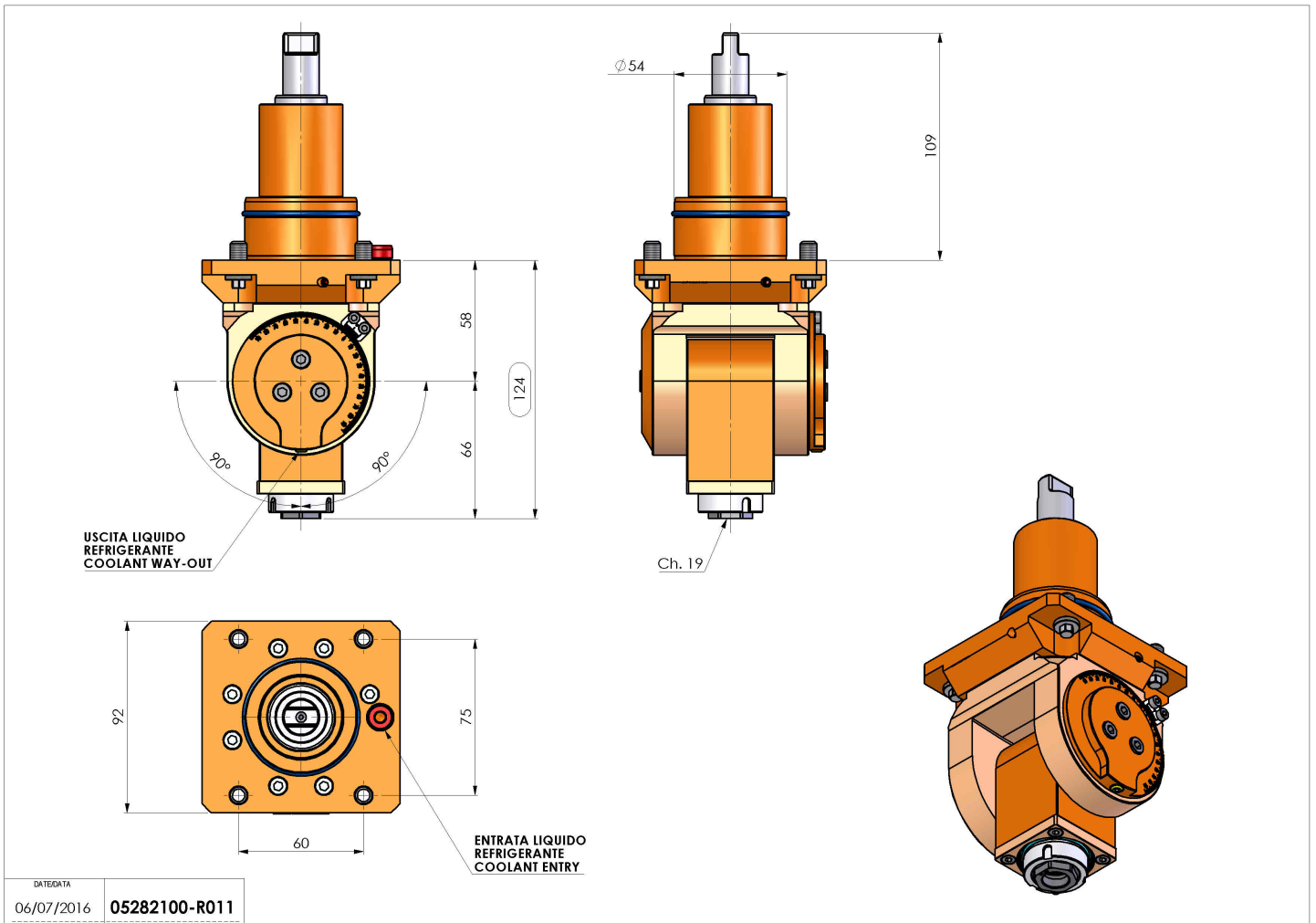


05282100 - LT-T D54 ER16F H124 MY

Type	LT-T Tool holder tiltable
Mounting	CYLINDRICAL SHANK 54
Tool output	Collet nut ER 16 F - internal nut
Coolant	External coolant
Direction of rotation	r1  r2 
Max speed [rpm]	6000
Max torque [Nm]	10
Ratio	1:1
H [mm]	58-124
Accessories	N.A.
Notes	N.A.
Mounting tips	N.A.



Always check live tool dimensions on the turret



Subject to technical changes

DATE/DATE
06/07/2016 **05282100-R011**