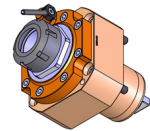
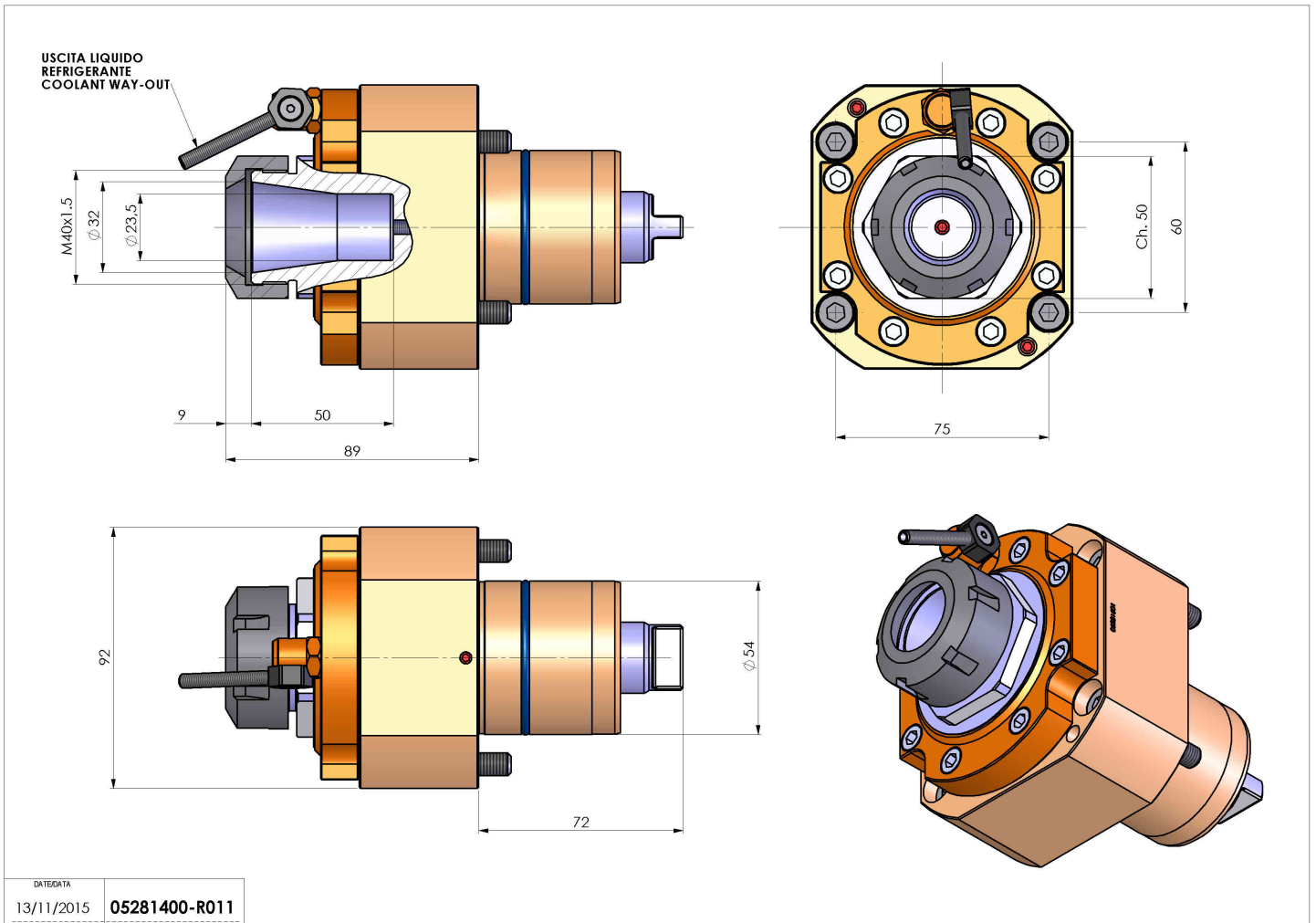


# 05281400 - LT-S D54 ER32 H89 MY

|                              |                              |
|------------------------------|------------------------------|
| <b>Type</b>                  | LT-S<br>Tool holder straight |
| <b>Mounting</b>              | CYLINDRICAL SHANK 54         |
| <b>Tool output</b>           | Collet nut ER 32             |
| <b>Coolant</b>               | External coolant             |
| <b>Direction of rotation</b> | r1  r2                       |
| <b>Max speed [rpm]</b>       | 6000                         |
| <b>Max torque [Nm]</b>       | 40                           |
| <b>Ratio</b>                 | 1:1                          |
| <b>H [mm]</b>                | 89                           |
| <b>Accessories</b>           |                              |
| <b>Notes</b>                 | N.A.                         |
| <b>Mounting tips</b>         | N.A.                         |



Always check live tool dimensions on the turret



|             |               |
|-------------|---------------|
| DATE/DATE   | 13/11/2015    |
| PART NUMBER | 05281400-R011 |

Subject to technical changes