
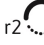
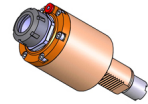


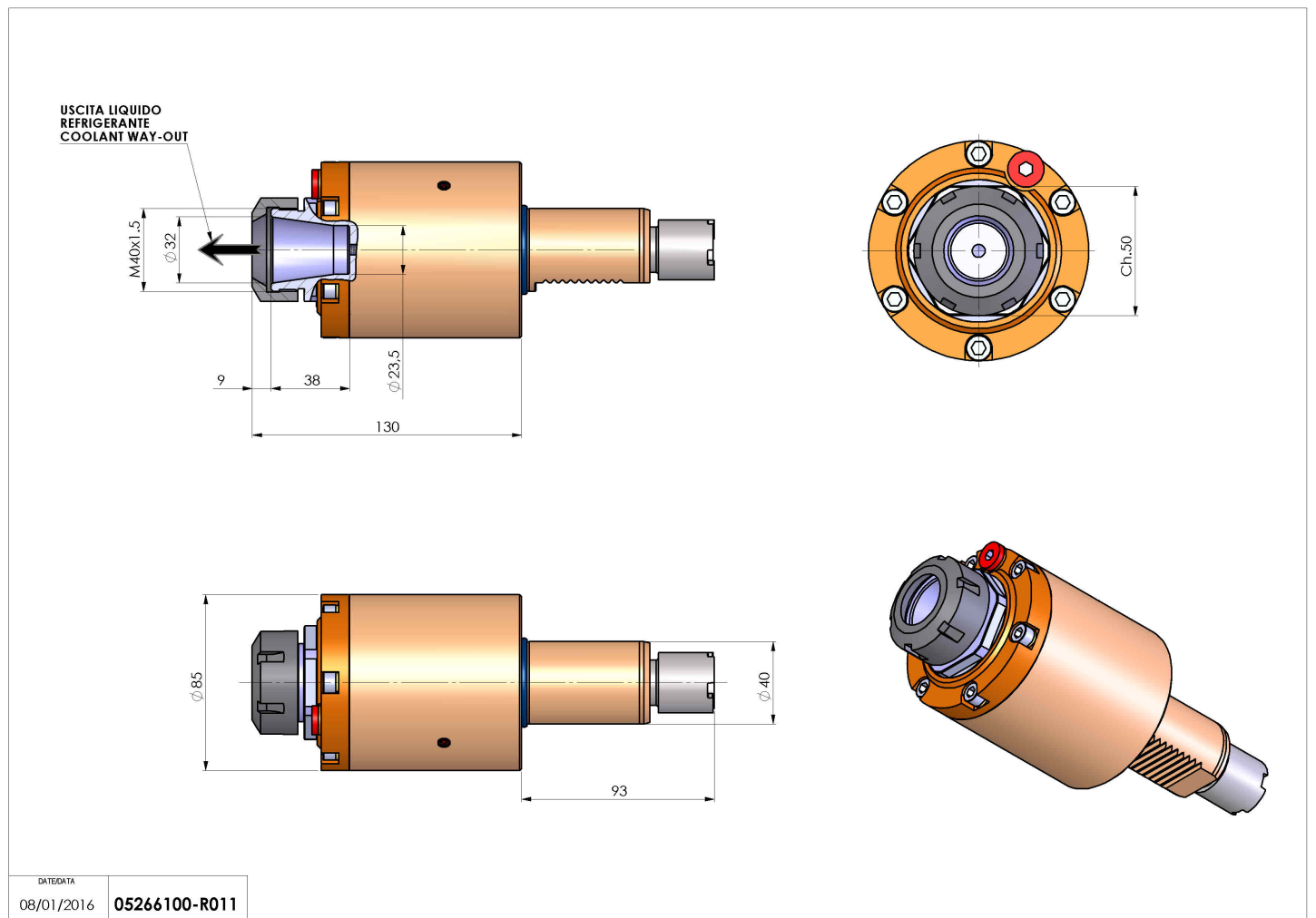
05266100 - LT-S VDI40 ER32 RF H130 OK

| | |
|------------------------------|---|
| Type | LT-S Tool holder straight |
| Mounting | VDI 40 |
| Tool output | Collet nut ER 32 |
| Coolant | Internal coolant |
| Direction of rotation | r1  r2  |
| Max speed [rpm] | 6000 |
| Max torque [Nm] | 63 |
| Ratio | 1:1 |
| H [mm] | 130 |
| Max pressure [bar] | 20 |
| Accessories | |
| Notes | N.A. |
| Mounting tips | N.A. |



ATTENTION: CHECK THE ORIENTATION OF THE VDI TEETH

Always check live tool dimensions on the turret



DATE/DATA
08/01/2016 05266100-R011

Subject to technical changes