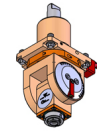
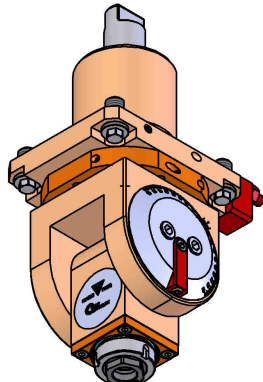
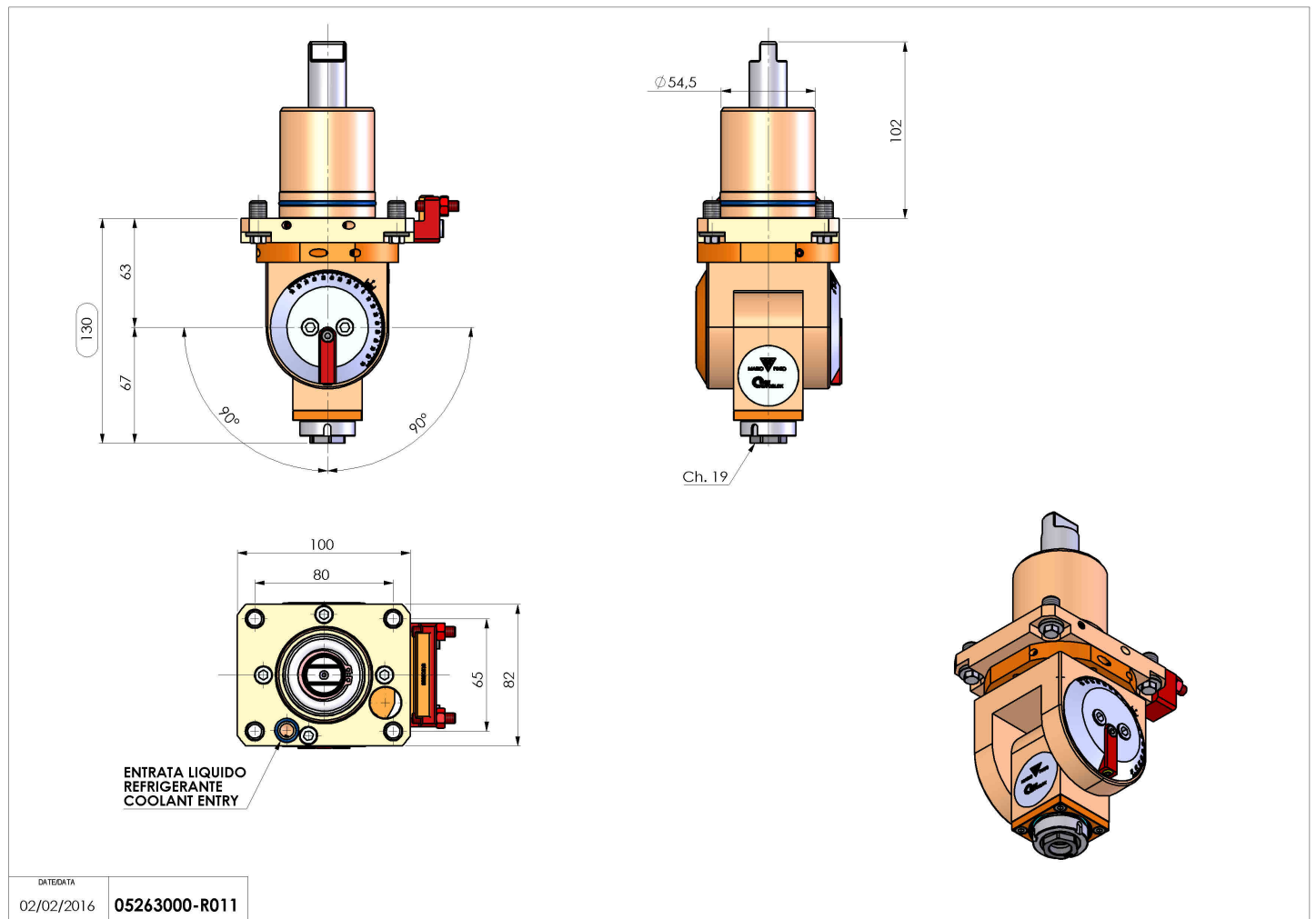


05263000 - LT-T D55,4 ER16F H63-130 OK

| | |
|------------------------------|-----------------------------------|
| Type | LT-T Tool holder tiltable |
| Mounting | CYLINDRICAL SHANK 55,4 |
| Tool output | Collet nut ER 16 F - internal nut |
| Coolant | External coolant |
| Direction of rotation | r1 ↻ r2 ↻ |
| Max speed [rpm] | 6000 |
| Max torque [Nm] | 10 |
| Ratio | 1:1 |
| H [mm] | 63-132 |
| Accessories | N.A. |
| Notes | N.A. |
| Mounting tips | N.A. |



Always check live tool dimensions on the turret



| | |
|-----------|---------------|
| DATE/DATE | 02/02/2016 |
| | 05263000-R011 |

Subject to technical changes