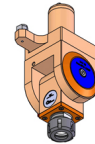


05259700 - LT-T VDI40 ER25 H71-165 MZ

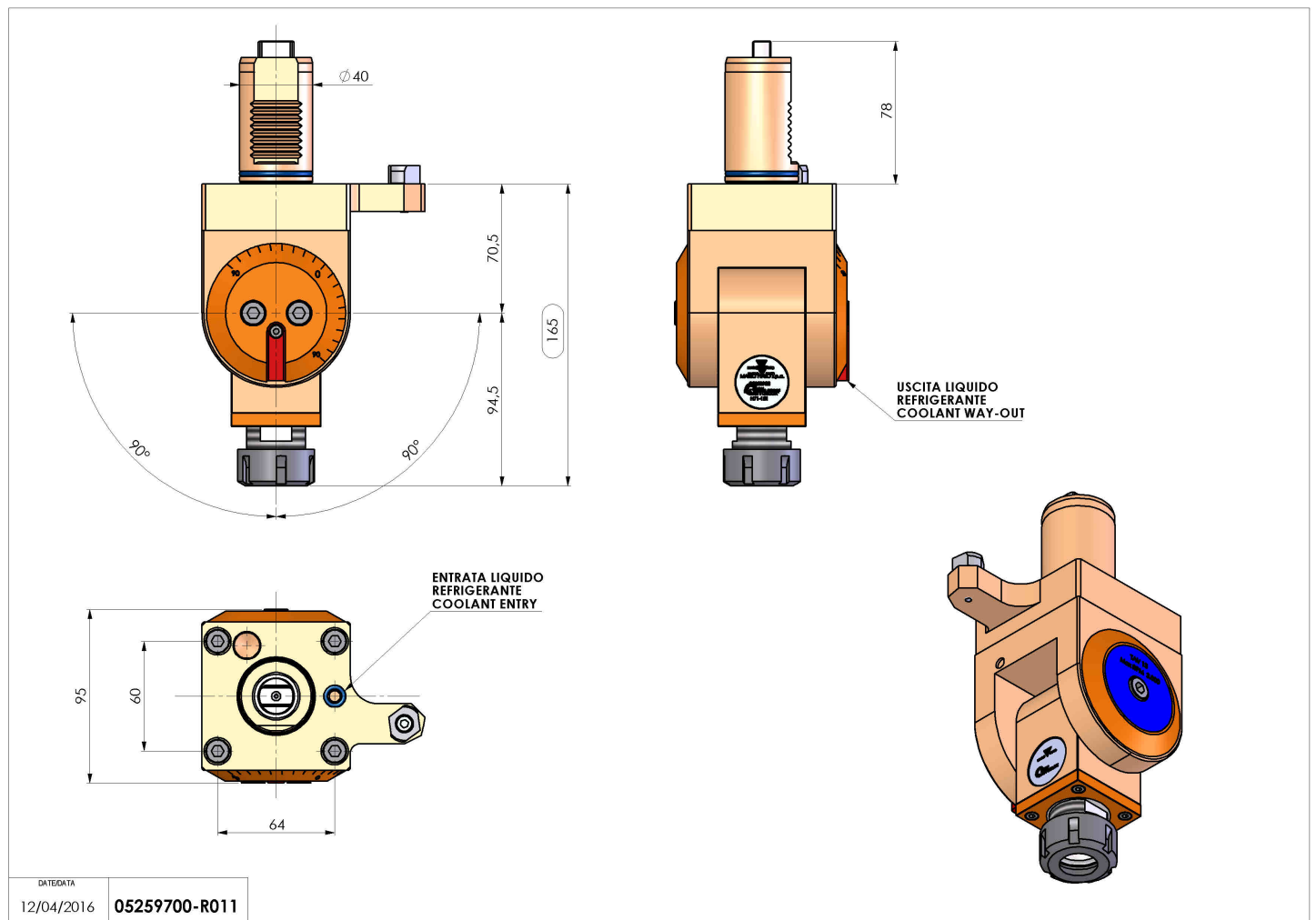
Type	LT-T Tool holder tiltable
Mounting	VDI 40
Tool output	Collet nut ER 25
Coolant	External coolant
Ratio	1:1
H [mm]	71-165



Accessories	N.A.
Notes	N.A.
Mounting tips	N.A.

ATTENTION: CHECK THE ORIENTATION OF THE VDI TEETH

Always check live tool dimensions on the turret



Subject to technical changes