

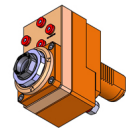


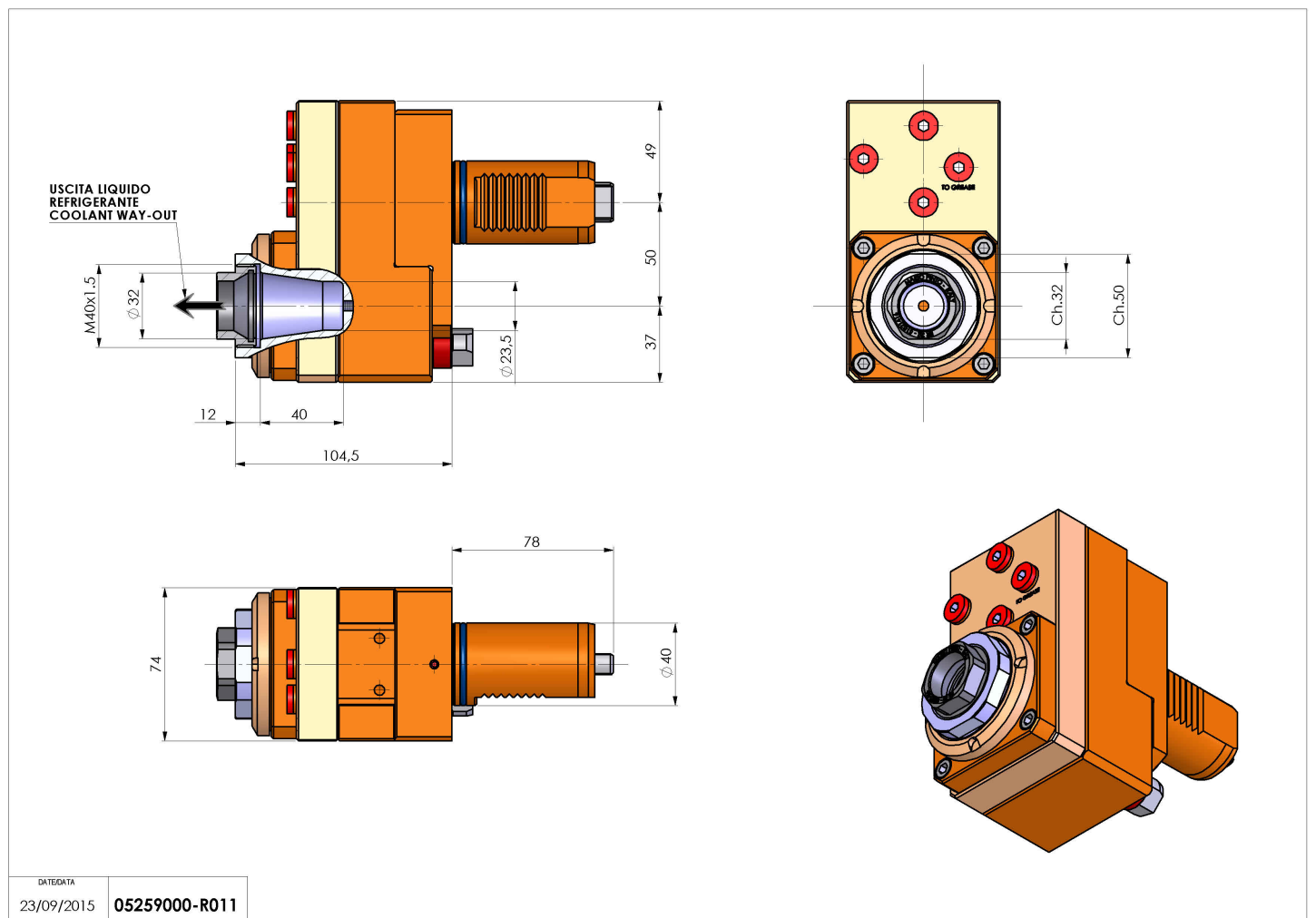
05259000 - LT-S VDI40ER32FRFOFS50H104MPMZ

| | |
|-----------------------|---|
| Type | LT-S OFS Tool holder straight offset |
| Mounting | VDI 40 |
| Tool output | Collet nut ER 32 F - internal nut |
| Coolant | Internal coolant |
| Offset [mm] | 50 |
| Direction of rotation | r1  r2  |
| Max speed [rpm] | 6000 |
| Max torque [Nm] | 63 |
| Ratio | 1:1 |
| H [mm] | 104,5 |
| Max pressure [bar] | 20 |
| Accessories | N.A. |
| Notes | N.A. |
| Mounting tips | N.A. |



ATTENTION: CHECK THE ORIENTATION OF THE VDI TEETH

Always check live tool dimensions on the turret



| | |
|------------|---------------|
| DATE/DATE | 05259000-R011 |
| 23/09/2015 | |

Subject to technical changes