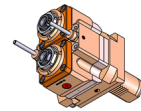


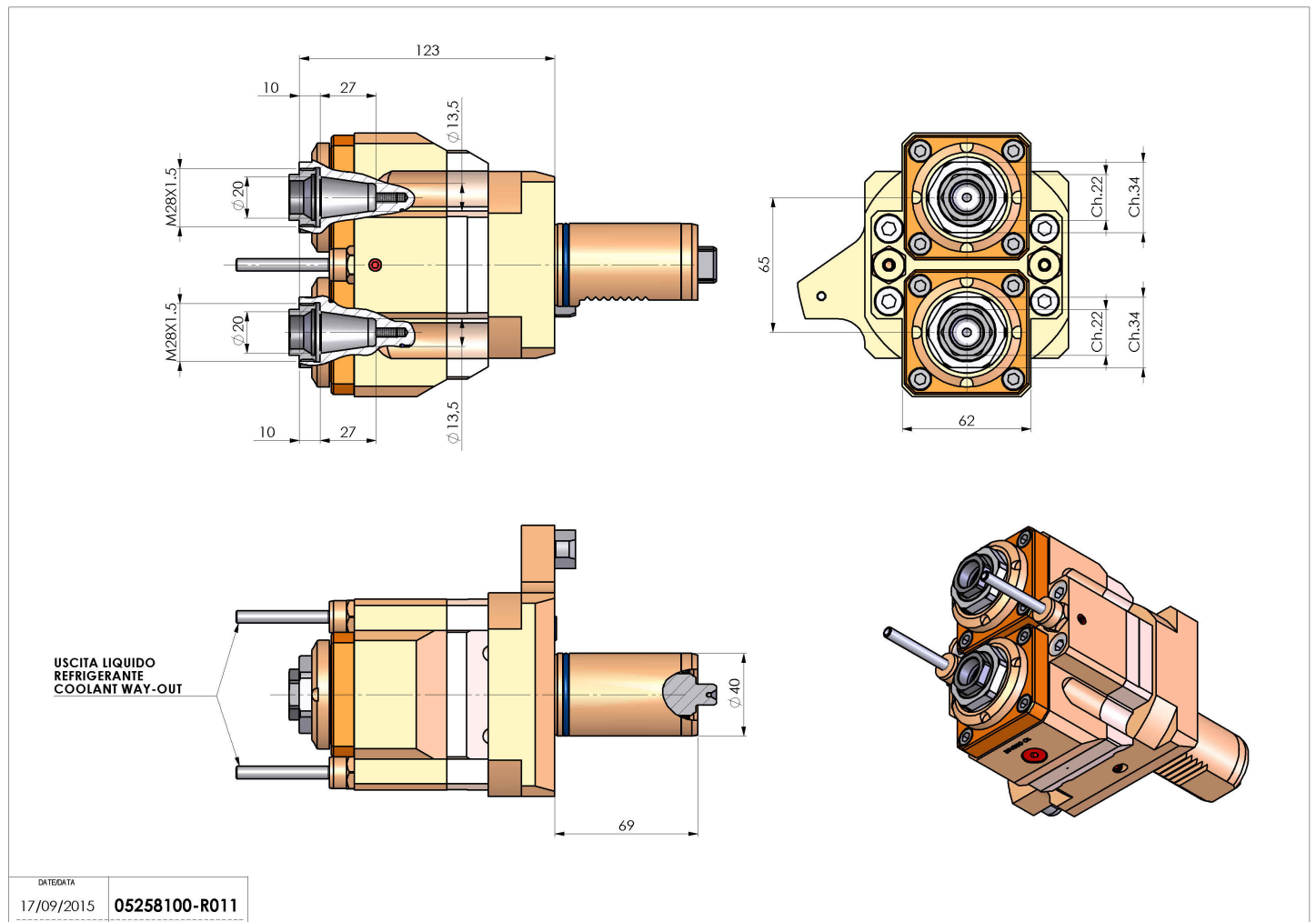
# 05258100 - LT-S2VDI40ER20F-20FH1231:1Q2MZ

|                              |                                      |
|------------------------------|--------------------------------------|
| <b>Type</b>                  | LT-S2<br>Tool holder double straight |
| <b>Mounting</b>              | VDI 40                               |
| <b>Tool output</b>           | Collet nut ER 20 F - internal nut    |
| <b>Coolant</b>               | External coolant                     |
| <b>Direction of rotation</b> | r1 ↻ r2 ↻ r3 ↻                       |
| <b>Max speed [rpm]</b>       | 6000                                 |
| <b>Max torque [Nm]</b>       | 38                                   |
| <b>Ratio</b>                 | 1:1                                  |
| <b>H [mm]</b>                | 123                                  |
| <b>Accessories</b>           | N.A.                                 |
| <b>Notes</b>                 | N.A.                                 |
| <b>Mounting tips</b>         | N.A.                                 |



**ATTENTION: CHECK THE ORIENTATION OF THE VDI TEETH**

Always check live tool dimensions on the turret



|            |               |
|------------|---------------|
| DATE/DATE  | 05258100-R011 |
| 17/09/2015 |               |

Subject to technical changes