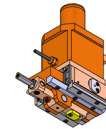


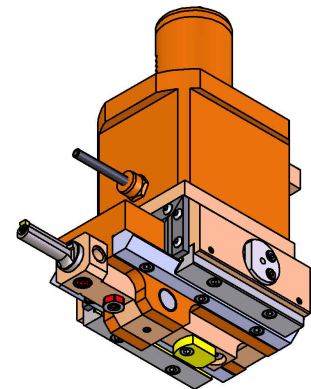
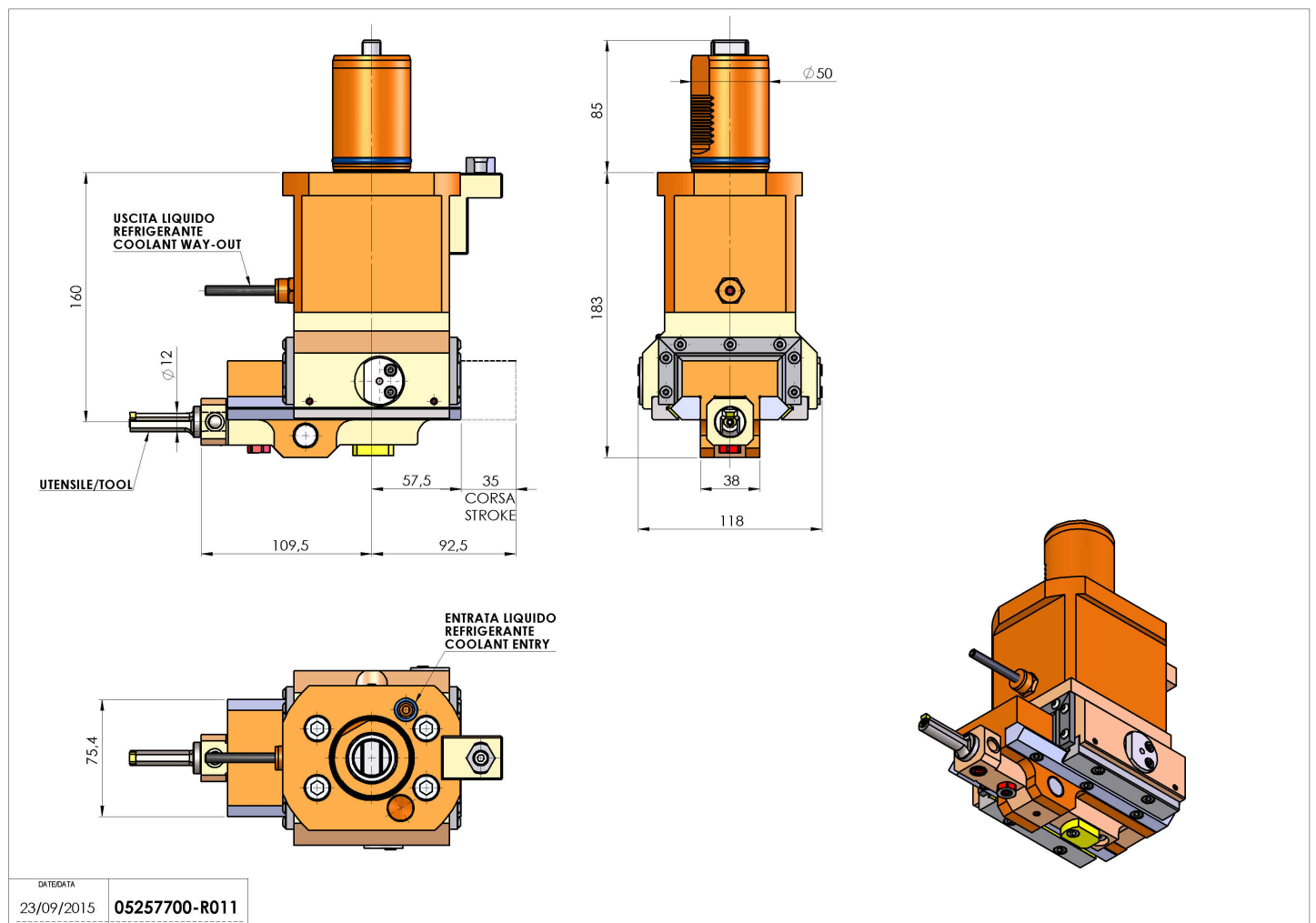
05257700 - LT-A ST35 VDI50 C12 H160 MZ

Type	LT-A ST Slotting tool 90°
Mounting	VDI 50
Tool output	Tool diameter 12
Coolant	External coolant
Max speed [rpm]	700
Max torque [Nm]	17,5
Ratio	1:1
Y axis adjustment	NO
Feed pushing [N]	1000
Stroke [mm]	35
Work stroke [mm]	30
H [mm]	160
Accessories	N.A.
Notes	N.A.
Mounting tips	N.A.



ATTENTION: CHECK THE ORIENTATION OF THE VDI TEETH

Always check live tool dimensions on the turret



DATE/GATA
23/09/2015 **05257700-R011**

Subject to technical changes