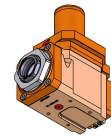


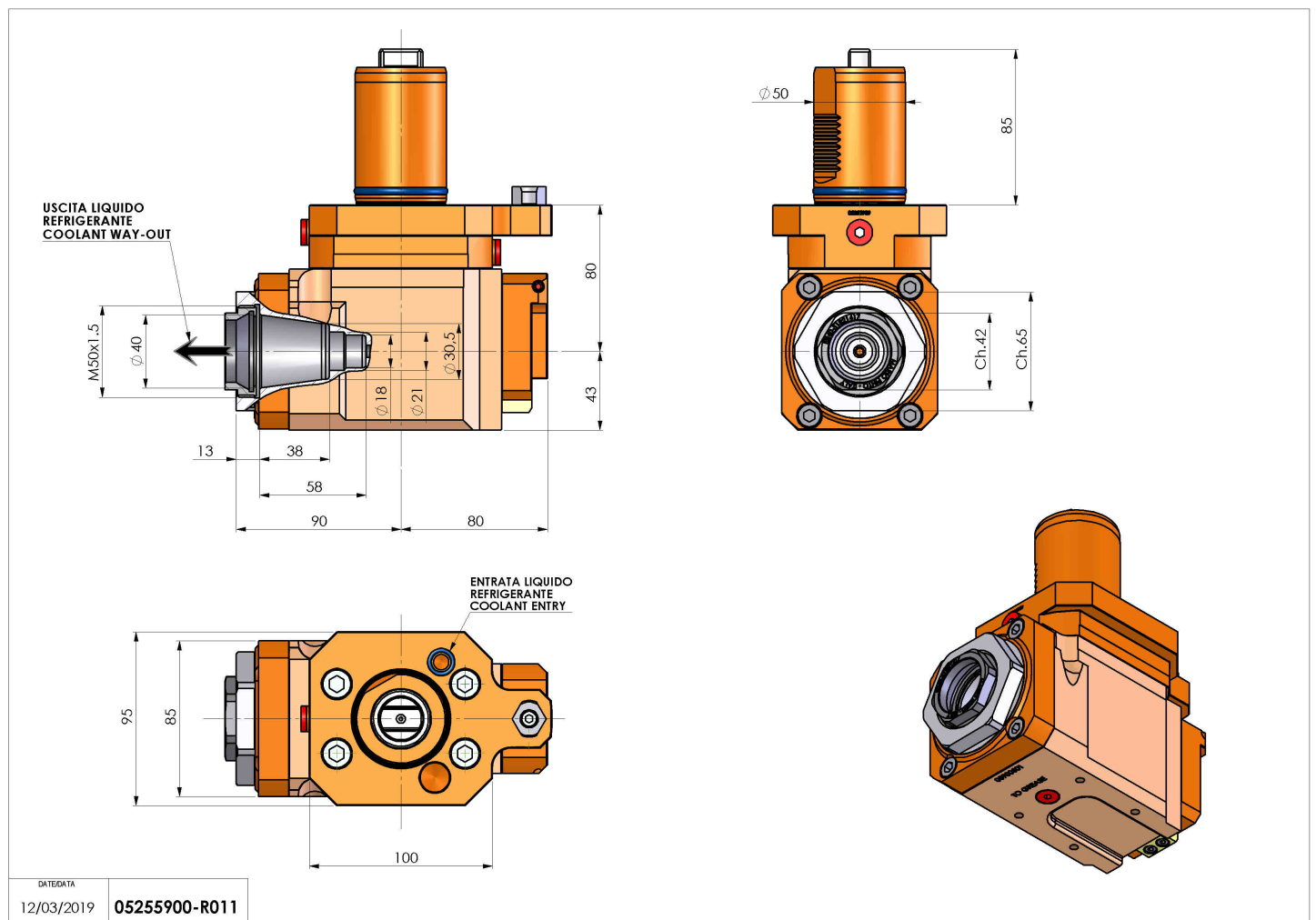
## 05255900 - LT-A VDI50 ER40F L HRF H80

|                       |                                   |
|-----------------------|-----------------------------------|
| Type                  | LT-A<br>Tool holder angle 90°     |
| Mounting              | VDI 50                            |
| Tool output           | Collet nut ER 40 F - internal nut |
| Coolant               | HRF Internal coolant              |
| Direction of rotation | r1 ↻ r2 ↻                         |
| Max speed [rpm]       | 6000                              |
| Max torque [Nm]       | 63                                |
| Ratio                 | 1:1                               |
| H [mm]                | 80                                |
| H1 [mm]               | 43                                |
| Max pressure [bar]    | 80                                |
| Accessories           | N.A.                              |
| Notes                 | N.A.                              |
| Mounting tips         | N.A.                              |



**ATTENTION: CHECK THE ORIENTATION OF THE VDI TEETH**

Always check live tool dimensions on the turret



Subject to technical changes