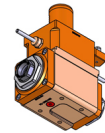


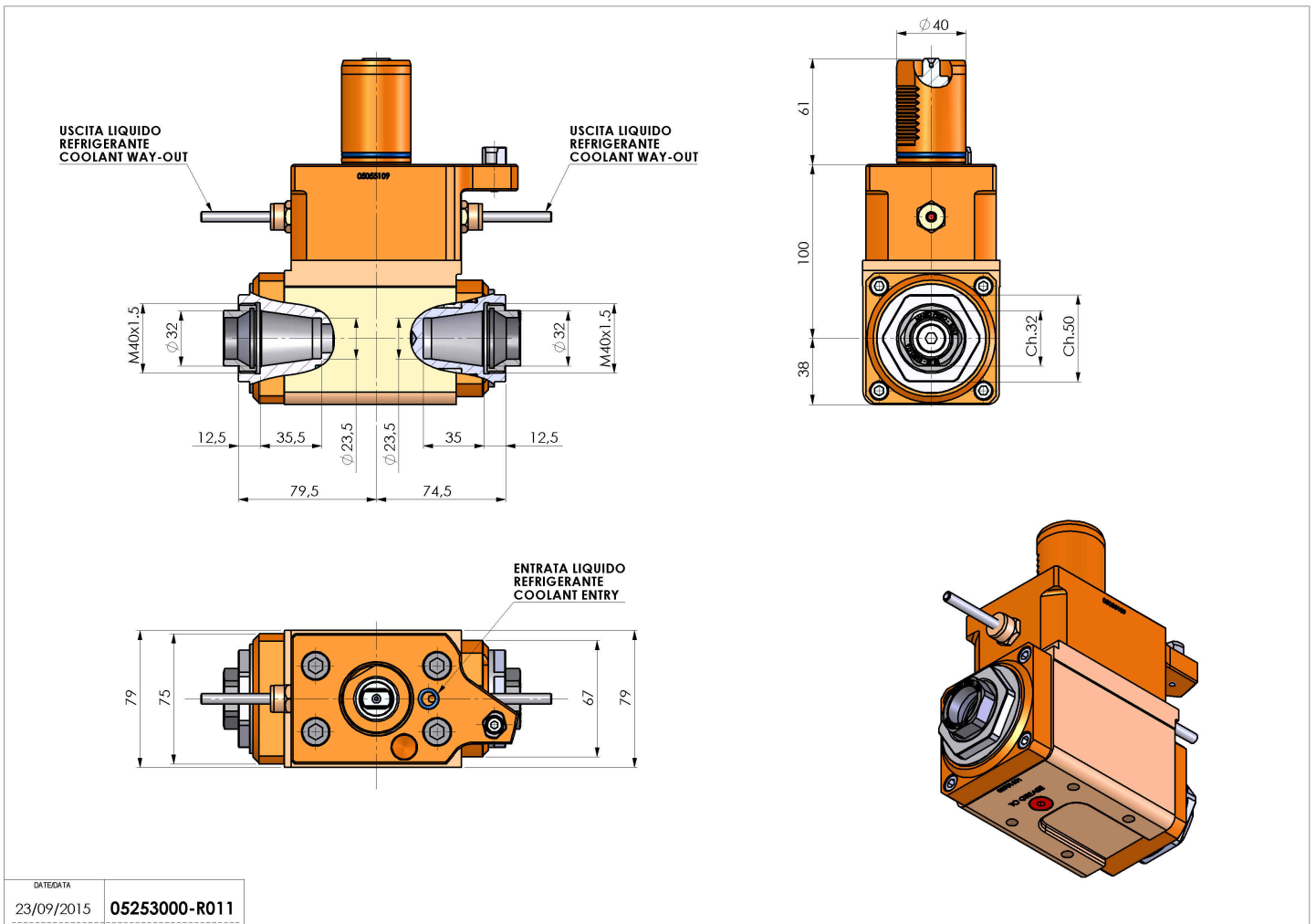
05253000 - LT-A VDI40 ER32F-32F G60H100MZ

| | |
|-----------------------|--|
| Type | LT-A DBL Tool holder double angle 90° |
| Mounting | VDI 40 |
| Tool output | Collet nut ER 32 F - internal nut |
| Coolant | External coolant |
| Direction of rotation | r1 ↻ r2 ↻ r3 ↻ |
| Max speed [rpm] | 6000 |
| Max torque [Nm] | 63 |
| Ratio | 1:1 |
| H [mm] | 100 |
| H1 [mm] | 38 |
| Accessories | N.A. |
| Notes | N.A. |
| Mounting tips | N.A. |



ATTENTION: CHECK THE ORIENTATION OF THE VDI TEETH

Always check live tool dimensions on the turret



| | |
|------------|---------------|
| DATE/GRA | 05253000-R011 |
| 23/09/2015 | |

Subject to technical changes