

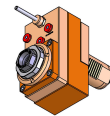


05250999 - LT-S VDI40 ER32F OFS50 REG H95

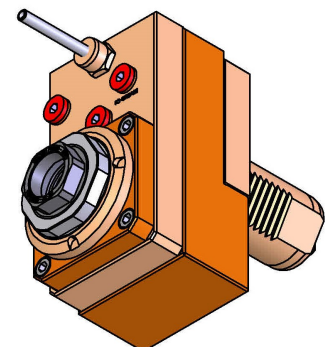
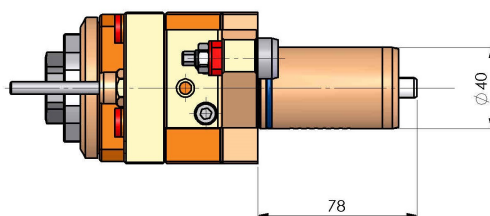
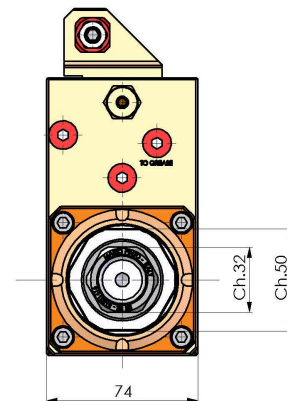
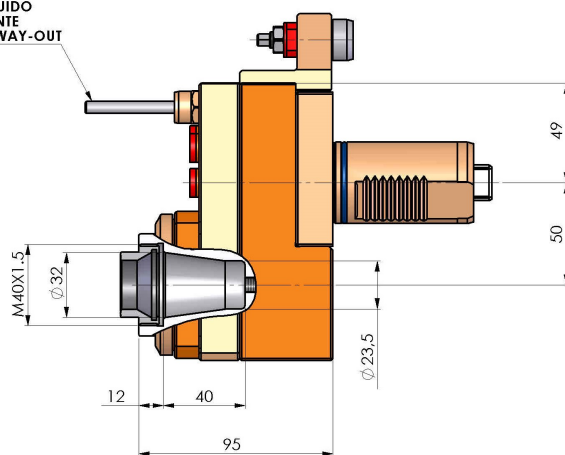
Type	LT-S OFS Tool holder straight offset
Mounting	VDI 40
Tool output	Collet nut ER 32 F - internal nut
Coolant	External coolant
Offset [mm]	50
Direction of rotation	r1  r2 
Max speed [rpm]	6000
Max torque [Nm]	63
Ratio	1:1
H [mm]	95
Accessories	N.A.
Notes	N.A.
Mounting tips	Main spindle only



ATTENTION: CHECK THE ORIENTATION OF THE VDI TEETH

Always check live tool dimensions on the turret

USCITA LIQUIDO
REFRIGERANTE
COOLANT WAY-OUT



DATE/DATA
04/07/2023 05250999-R011

Subject to technical changes