
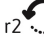
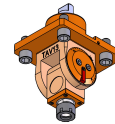
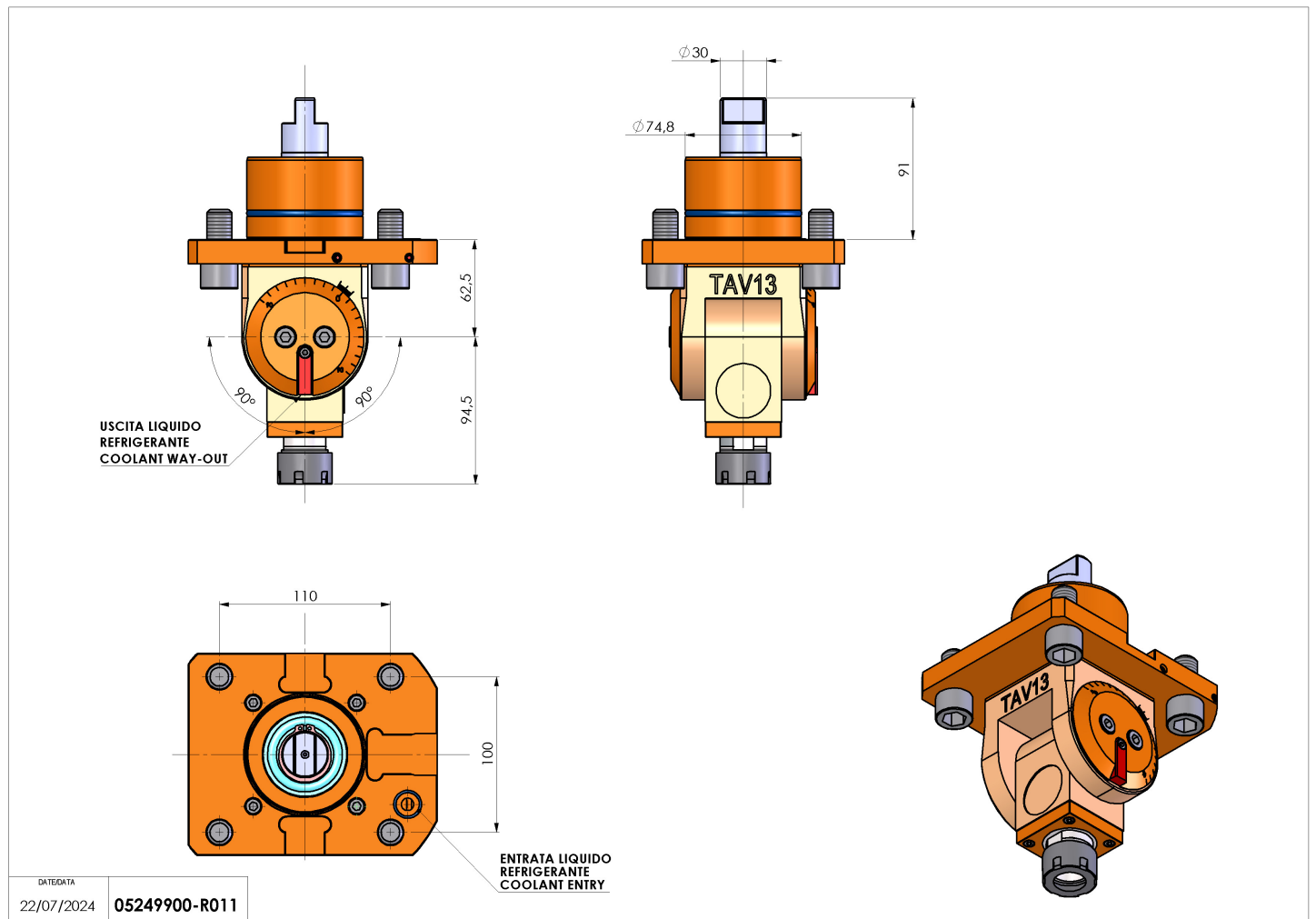


05249900 - LT-T D75 ER25M H63-157

Type	LT-T Tool holder tiltable
Mounting	CYLINDRICAL SHANK 75
Tool output	Collet nut ER 25
Coolant	External coolant
Direction of rotation	r1  r2 
Max speed [rpm]	6000
Max torque [Nm]	20
Ratio	1:1
H [mm]	63-157
Accessories	N.A.
Notes	N.A.
Mounting tips	N.A.



Always check live tool dimensions on the turret



DATE/DATE
22/07/2024 05249900-R011

Subject to technical changes