

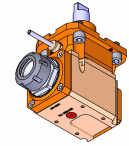
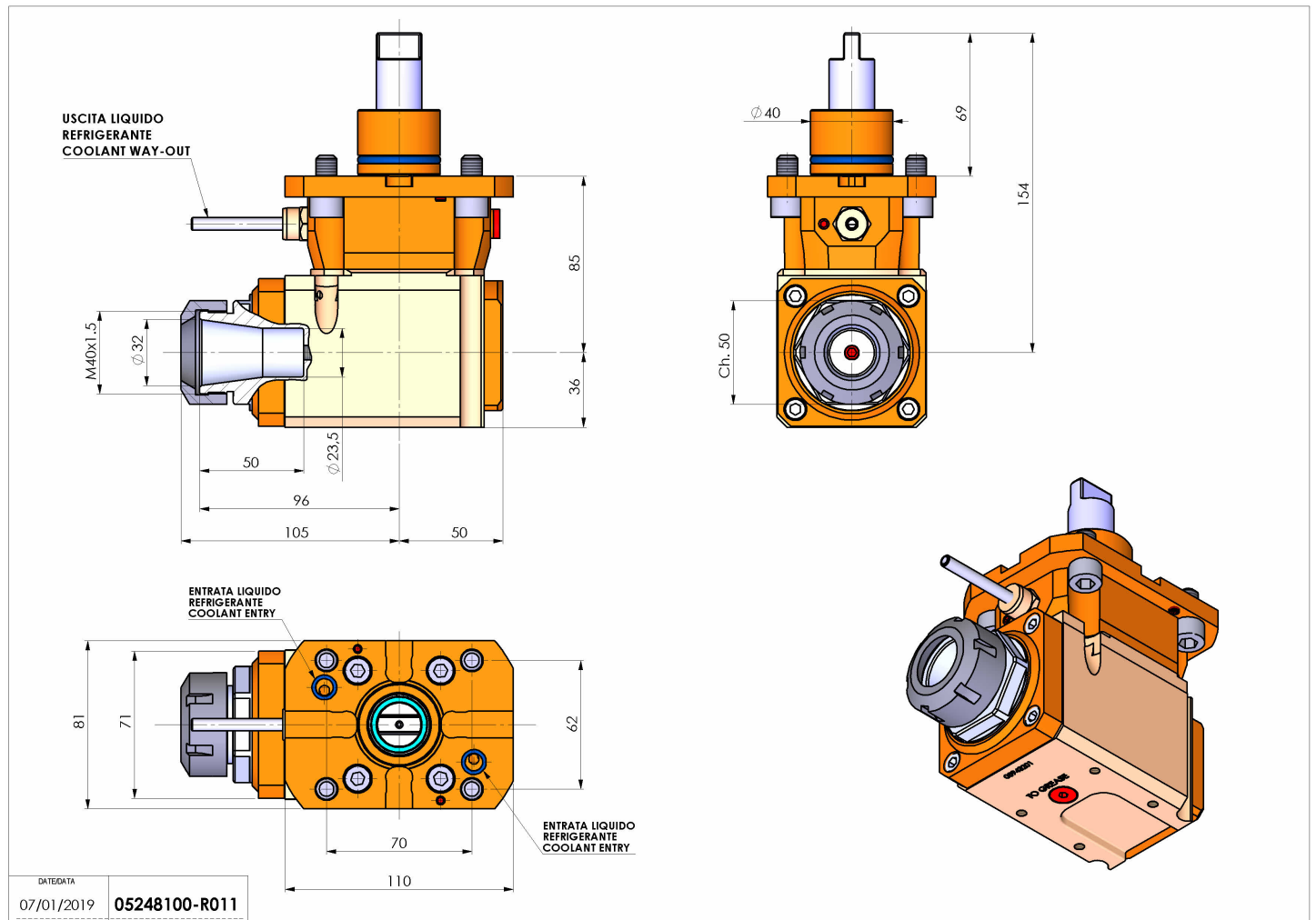


05248100 - LT-A D40 ER32 HS H85

| | |
|------------------------------|---|
| Type | LT-A Tool holder angle 90° |
| Mounting | CYLINDRICAL SHANK 40 |
| Tool output | Collet nut ER 32 |
| Coolant | External coolant |
| Direction of rotation | r1  r2  |
| Max speed [rpm] | 12000 |
| Max torque [Nm] | 50 |
| Ratio | 1:1 |
| H [mm] | 85 |
| H1 [mm] | 36 |
| Accessories | N.A. |
| Notes | N.A. |
| Mounting tips | N.A. |



Always check live tool dimensions on the turret



Subject to technical changes