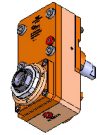
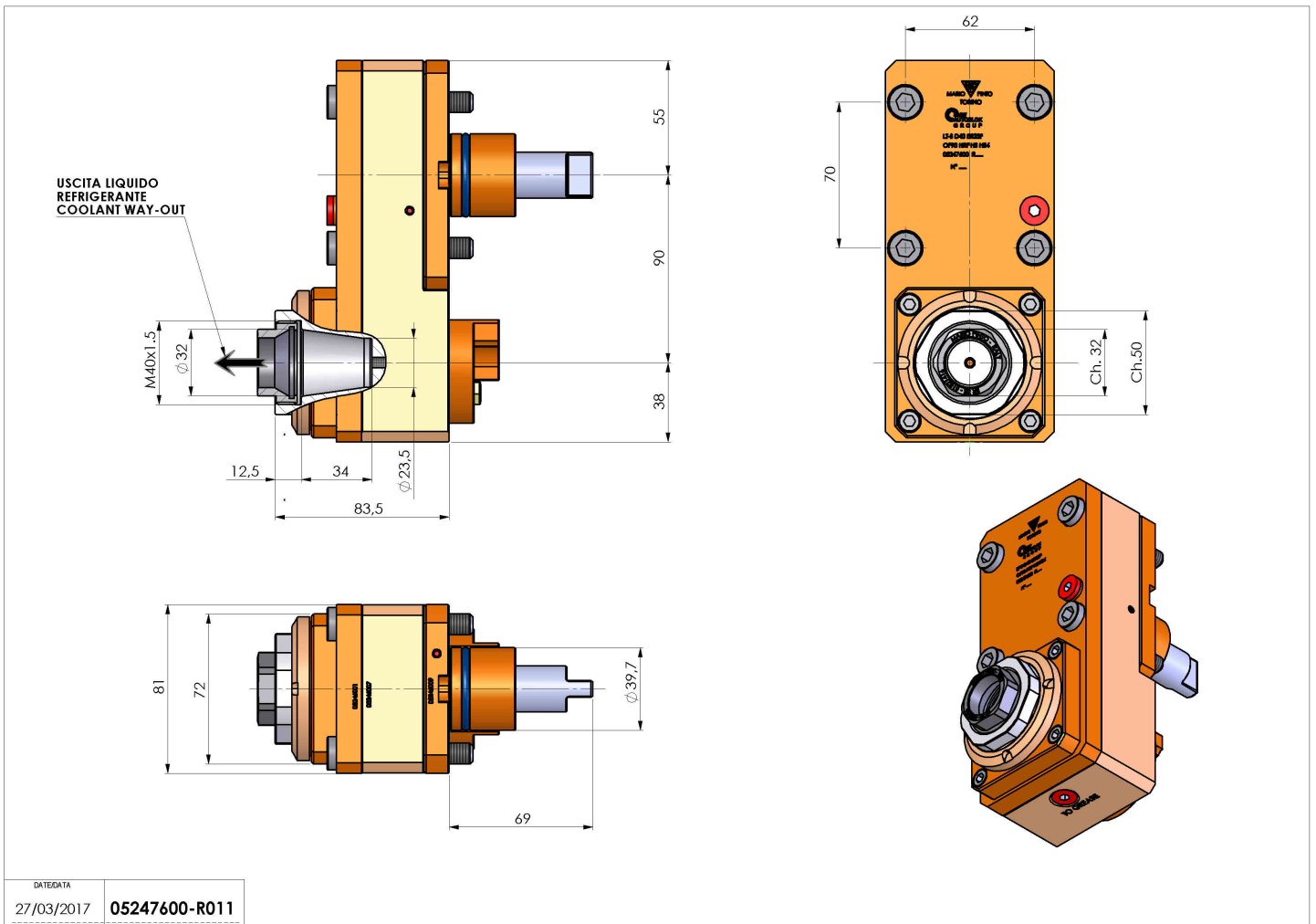


# 05247600 - LT-S D40 ER32F OF90 HRF HS H84

|                       |   |
|-----------------------|---|
| Type                  | LT-S OFS<br>Tool holder straight offset |
| Mounting              | CYLINDRICAL SHANK 40                    |
| Tool output           | Collet nut ER 32 F - internal nut       |
| Coolant               | HRF Internal coolant                    |
| Offset [mm]           | 90                                      |
| Direction of rotation | r1 ↻ r2 ↻                               |
| Max speed [rpm]       | 12000                                   |
| Max torque [Nm]       | 63                                      |
| Ratio                 | 1:1                                     |
| H [mm]                | 83,5                                    |
| Max pressure [bar]    | 80                                      |
| Accessories           | N.A.                                    |
| Notes                 | N.A.                                    |
| Mounting tips         | N.A.                                    |



Always check live tool dimensions on the turret



|            |               |
|------------|---------------|
| DATE/DATE  | 05247600-R011 |
| 27/03/2017 |               |

Subject to technical changes