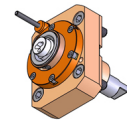
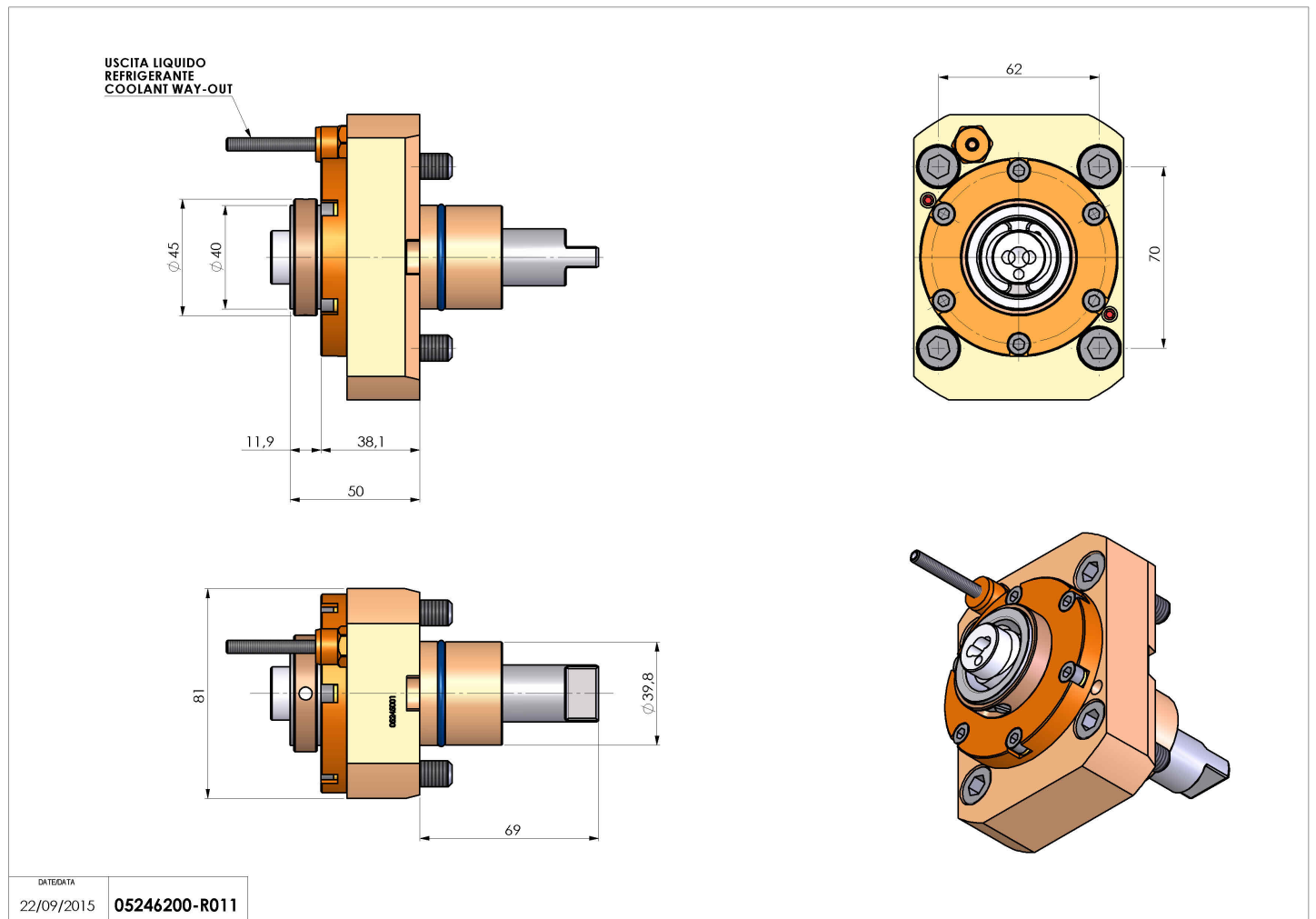


05246200 - LT-S D40 HSK40 HS H50

Type	LT-S Tool holder straight
Mounting	CYLINDRICAL SHANK 40
Tool output	Quick Change HSK40
Coolant	External coolant
Direction of rotation	r1 ↻ r2 ↻
Max speed [rpm]	12000
Max torque [Nm]	40
Ratio	1:1
H [mm]	50
Accessories	
Notes	N.A.
Mounting tips	N.A.



Always check live tool dimensions on the turret



DATE/DATA
22/09/2015 05246200-R011

Subject to technical changes