
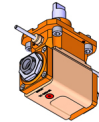
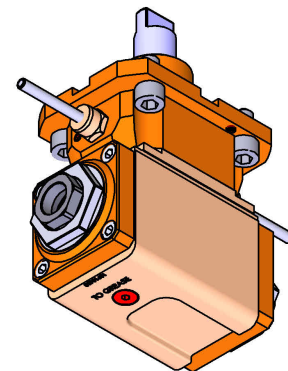
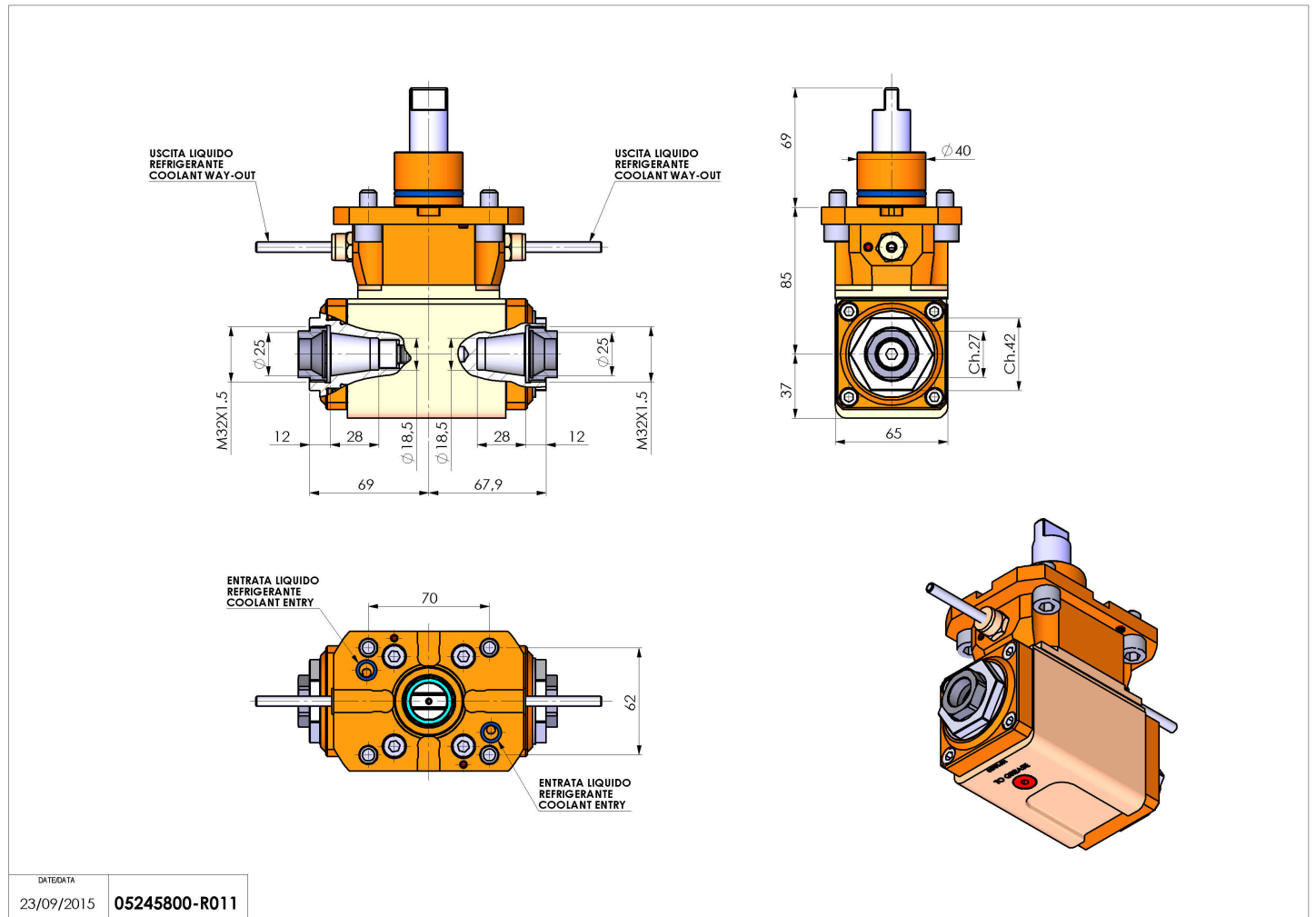


05245800 - LT-A D40 ER25F-25F 2:1 H85

Type	LT-A DBL Tool holder double angle 90°
Mounting	CYLINDRICAL SHANK 40
Tool output	Collet nut ER 25 F - internal nut
Coolant	External coolant
Direction of rotation	
Max speed [rpm]	in 6000 /out 3000
Max torque [Nm]	in 40 / out 80
Ratio	2:1
H [mm]	85
H1 [mm]	37
Accessories	N.A.
Notes	N.A.
Mounting tips	N.A.



Always check live tool dimensions on the turret



DATE/DATE
23/09/2015 05245800-R011

Subject to technical changes