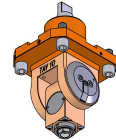
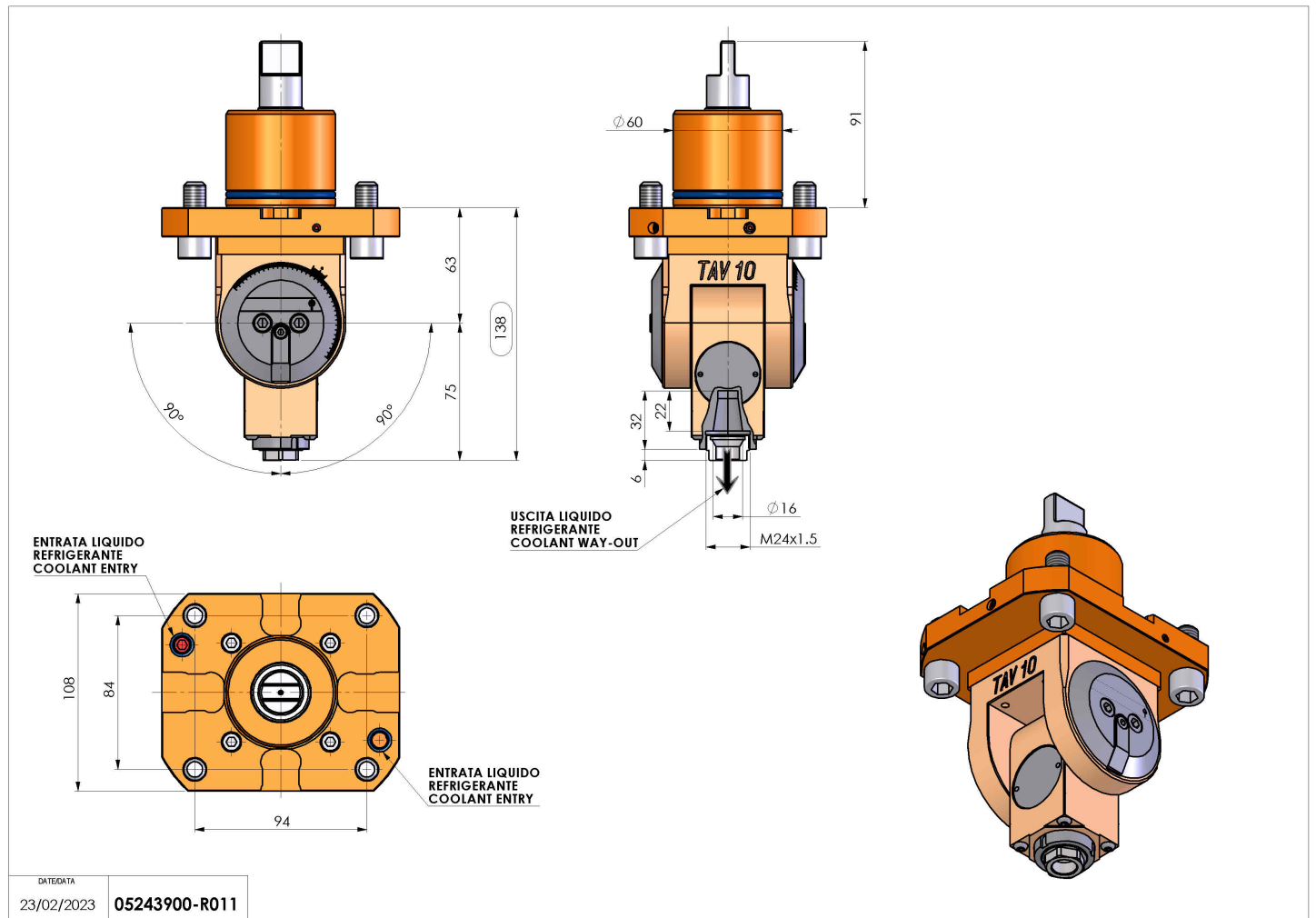


05243900 - LT-T D60 ER16F HRF H63-138

| | |
|-----------------------|-----------------------------------|
| Type | LT-T Tool holder tiltable |
| Mounting | CYLINDRICAL SHANK 60 |
| Tool output | Collet nut ER 16 F - internal nut |
| Coolant | HRF Internal coolant |
| Direction of rotation | r1 ↻ r2 ↻ |
| Max speed [rpm] | 8000 |
| Max torque [Nm] | 10 |
| Ratio | 1:1 |
| H [mm] | 63-138 |
| Max pressure [bar] | 70 |
| Accessories | N.A. |
| Notes | N.A. |
| Mounting tips | N.A. |



Always check live tool dimensions on the turret



Subject to technical changes

DATE/DATE
23/02/2023 05243900-R011