

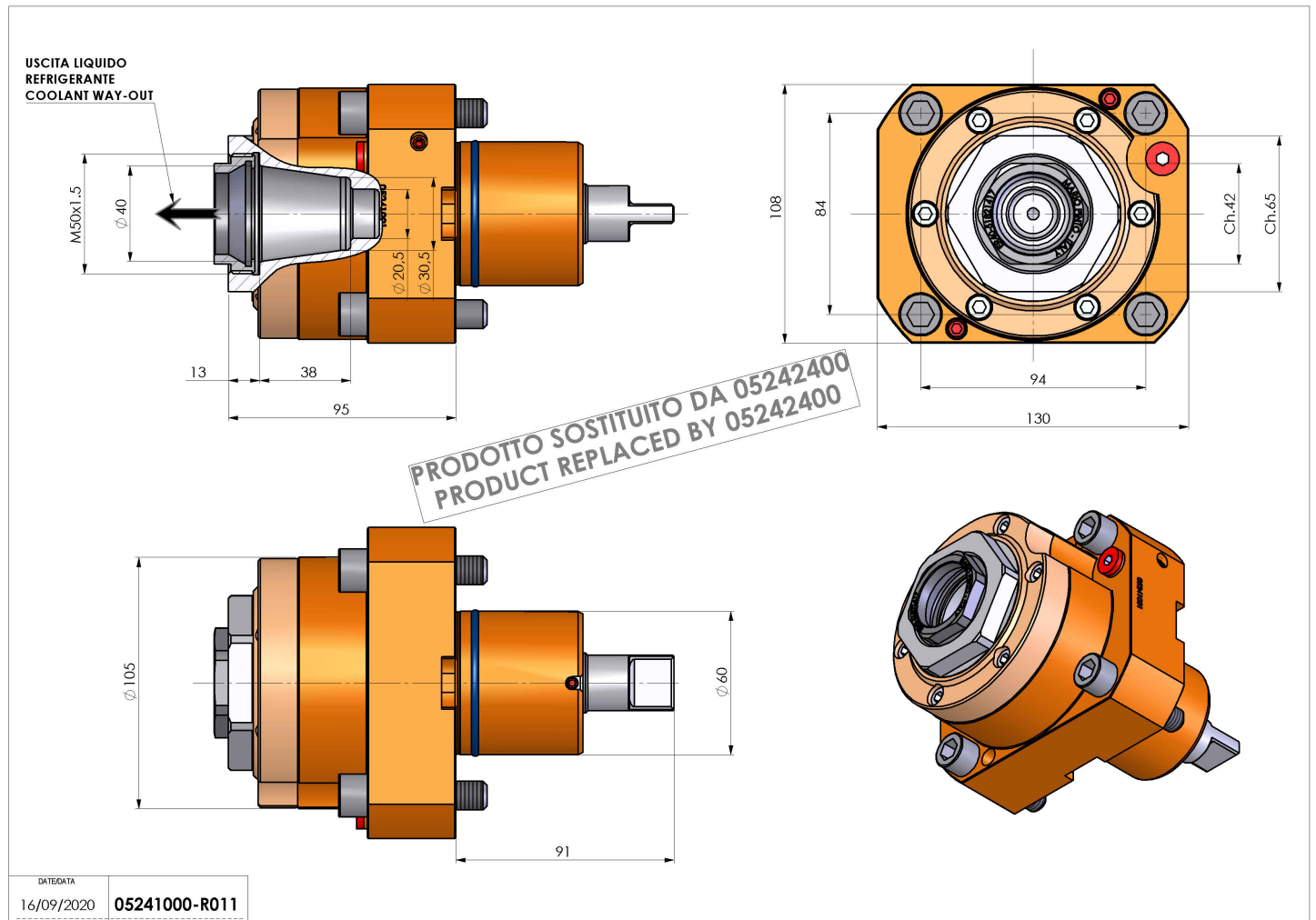
# 05241000 - LT-S D60 ER40F HRFHS H95

<b>Type</b>	LT-S Tool holder straight
<b>Mounting</b>	CYLINDRICAL SHANK 60
<b>Tool output</b>	Collet nut ER 40 F - internal nut
<b>Coolant</b>	HRF Internal coolant
<b>Direction of rotation</b>	r1  r2
<b>Max speed [rpm]</b>	10000
<b>Max torque [Nm]</b>	63
<b>Ratio</b>	1:1
<b>H [mm]</b>	95
<b>Max pressure [bar]</b>	70
<b>Accessories</b>	N.A.
<b>Notes</b>	Soon out of stock. Replaced by cod. 05242400
<b>Mounting tips</b>	N.A.



REPLACED BY 05242400

Always check live tool dimensions on the turret



DATE/DATE	05241000-R011
16/09/2020	

Subject to technical changes