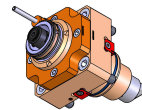
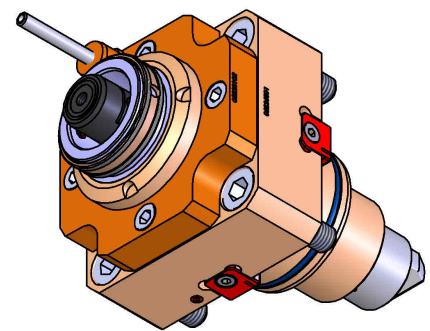
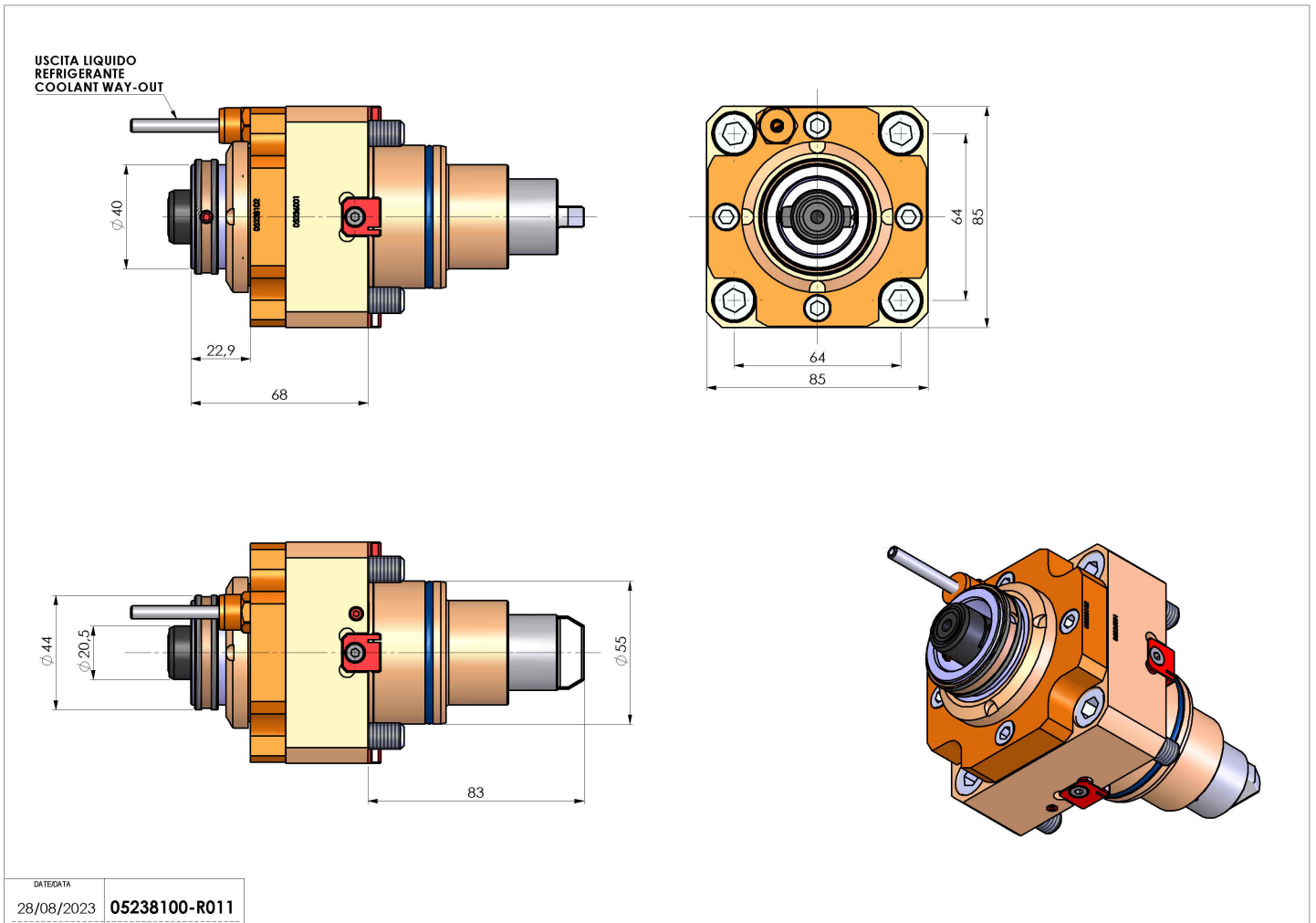


05238100 - LT-S BMT55EM HSK40 PROT H68

Type	LT-S Tool holder straight
Mounting	BMT 55 EM
Tool output	Quick Change HSK40
Coolant	External coolant
Direction of rotation	r1 r2
Max speed [rpm]	6000
Max torque [Nm]	60
Ratio	1:1
H [mm]	68
Accessories	N.A.
Notes	N.A.
Mounting tips	N.A.



Always check live tool dimensions on the turret



Subject to technical changes

DATE/DATE	05238100-R011
28/08/2023	