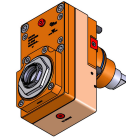
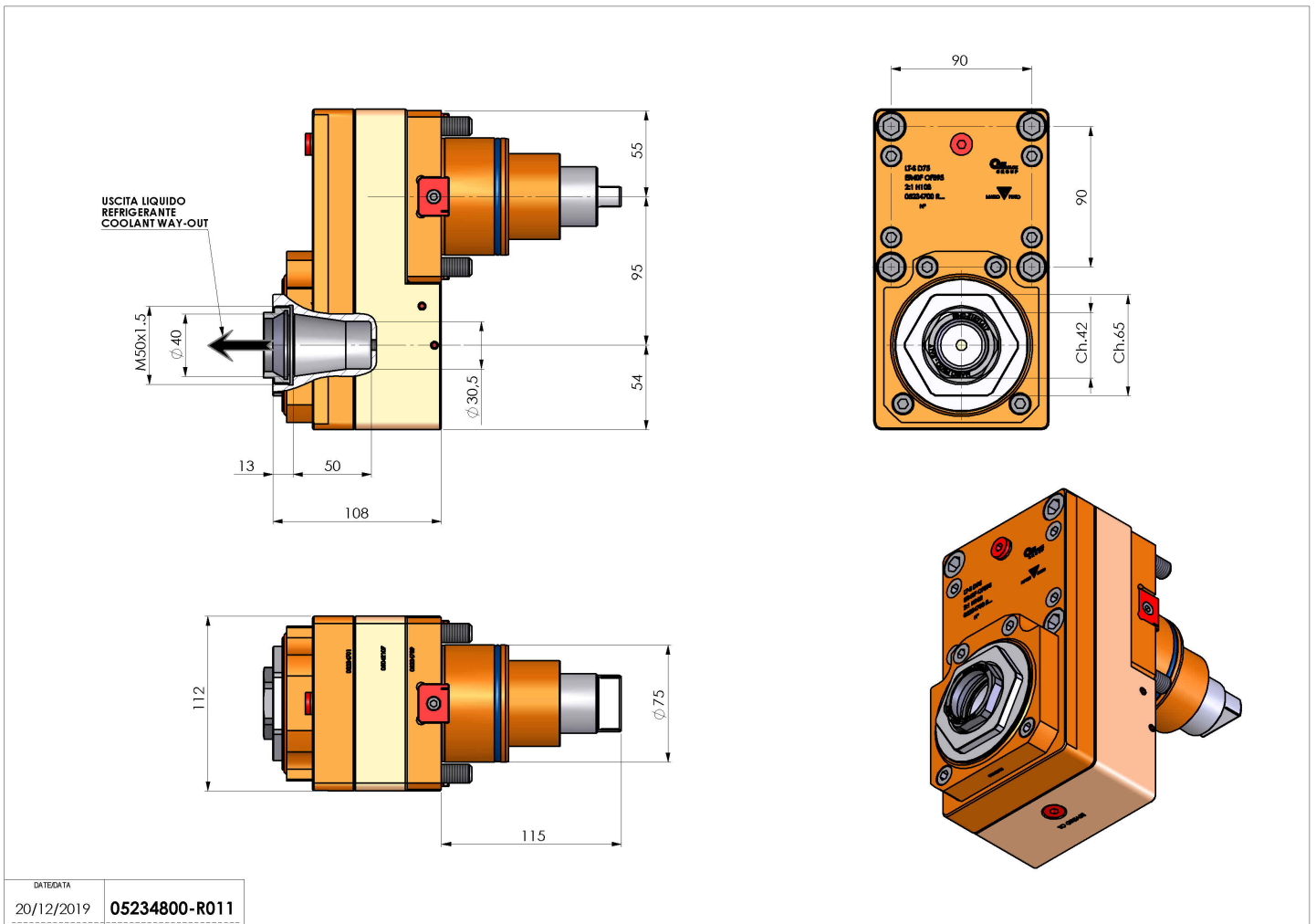


# 05234800 - LT-S BMT75EM OFS95 ER40F RF 2:1 H108

<b>Type</b>	LT-S OFS Tool holder straight offset
<b>Mounting</b>	BMT 75 EM
<b>Tool output</b>	Collet nut ER 40 F - internal nut
<b>Coolant</b>	Internal coolant
<b>Offset [mm]</b>	95
<b>Direction of rotation</b>	r1 ↻ r2 ↻
<b>Max speed [rpm]</b>	in 6000 / out 3000
<b>Max torque [Nm]</b>	in 60 / out 120
<b>Ratio</b>	2:1
<b>H [mm]</b>	108
<b>Max pressure [bar]</b>	20
<b>Accessories</b>	N.A.
<b>Notes</b>	N.A.
<b>Mounting tips</b>	N.A.



Always check live tool dimensions on the turret



DATE/DATE	05234800-R011
20/12/2019	

Subject to technical changes