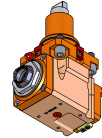
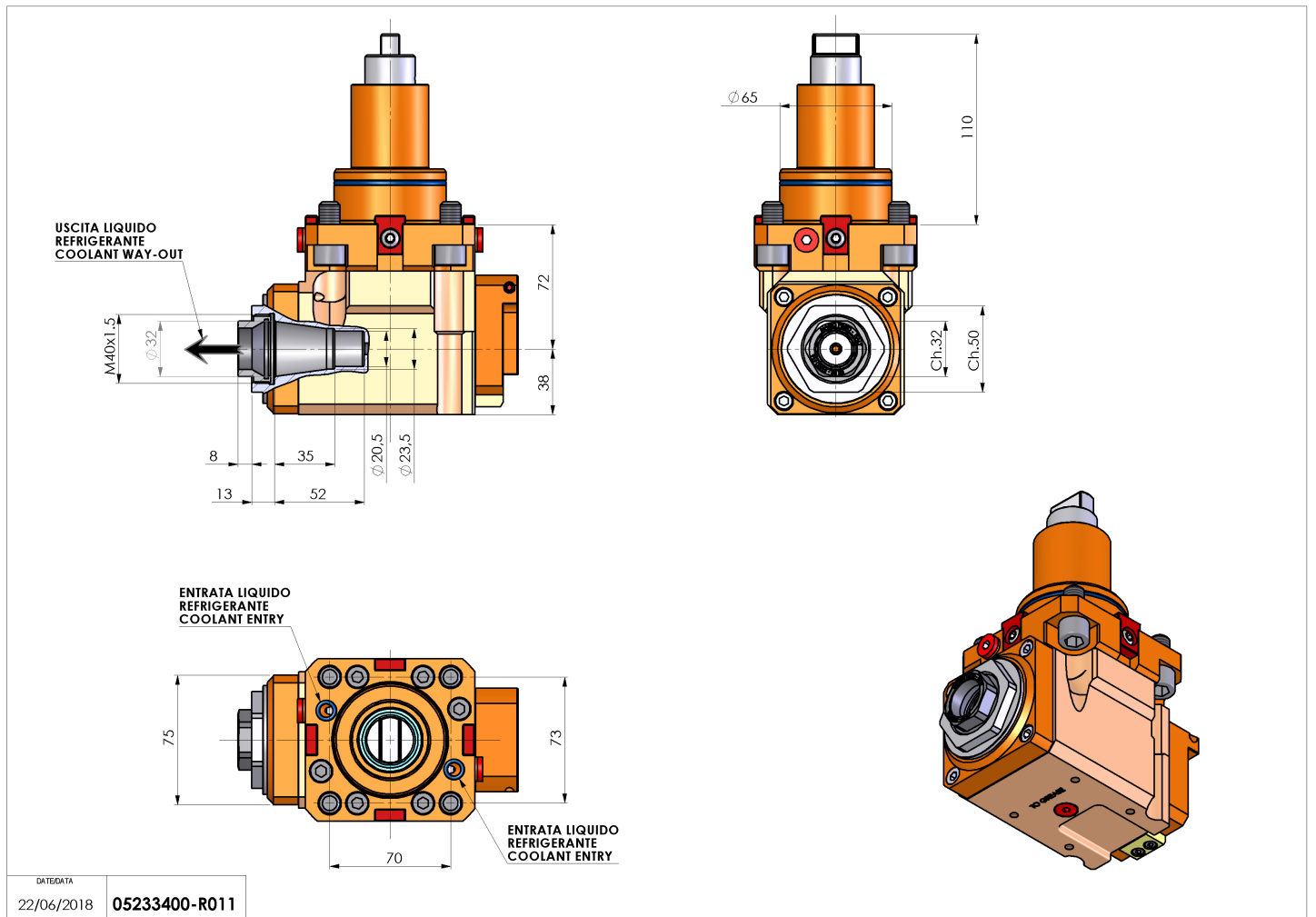


05233400 - LT-A BMT65EM ER32F HRF LR H72

Type	LT-A Tool holder angle 90°
Mounting	BMT 65 EM
Tool output	Collet nut ER 32 F - internal nut
Coolant	HRF Internal coolant
Direction of rotation	r1 ↺ r2 ↻
Max speed [rpm]	6000
Max torque [Nm]	60
Ratio	1:1
H [mm]	72
H1 [mm]	38
Max pressure [bar]	80
Accessories	N.A.
Notes	N.A.
Mounting tips	N.A.



Always check live tool dimensions on the turret



DATE/DATE
22/06/2018 05233400-R011

Subject to technical changes