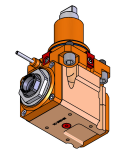
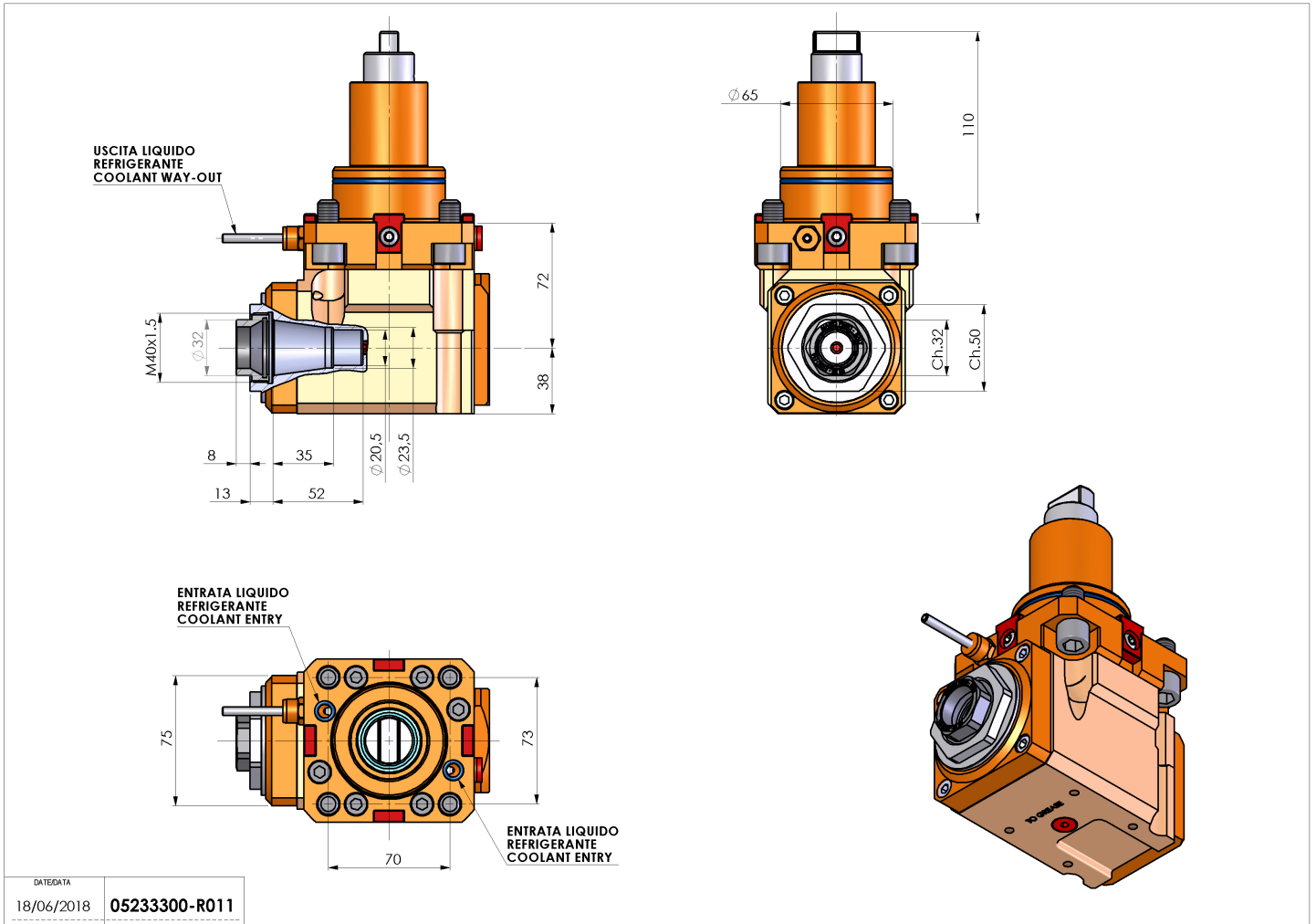


# 05233300 - LT-A BMT65EM ER32F LR H72

Type	LT-A Tool holder angle 90°
Mounting	BMT 65 EM
Tool output	Collet nut ER 32 F - internal nut
Coolant	External coolant
Direction of rotation	r1 ↻ r2 ↻
Max speed [rpm]	6000
Max torque [Nm]	63
Ratio	1:1
H [mm]	72
H1 [mm]	38
Accessories	N.A.
Notes	N.A.
Mounting tips	N.A.



Always check live tool dimensions on the turret



DATE/DATE  
18/06/2018 05233300-R011

Subject to technical changes