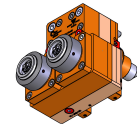
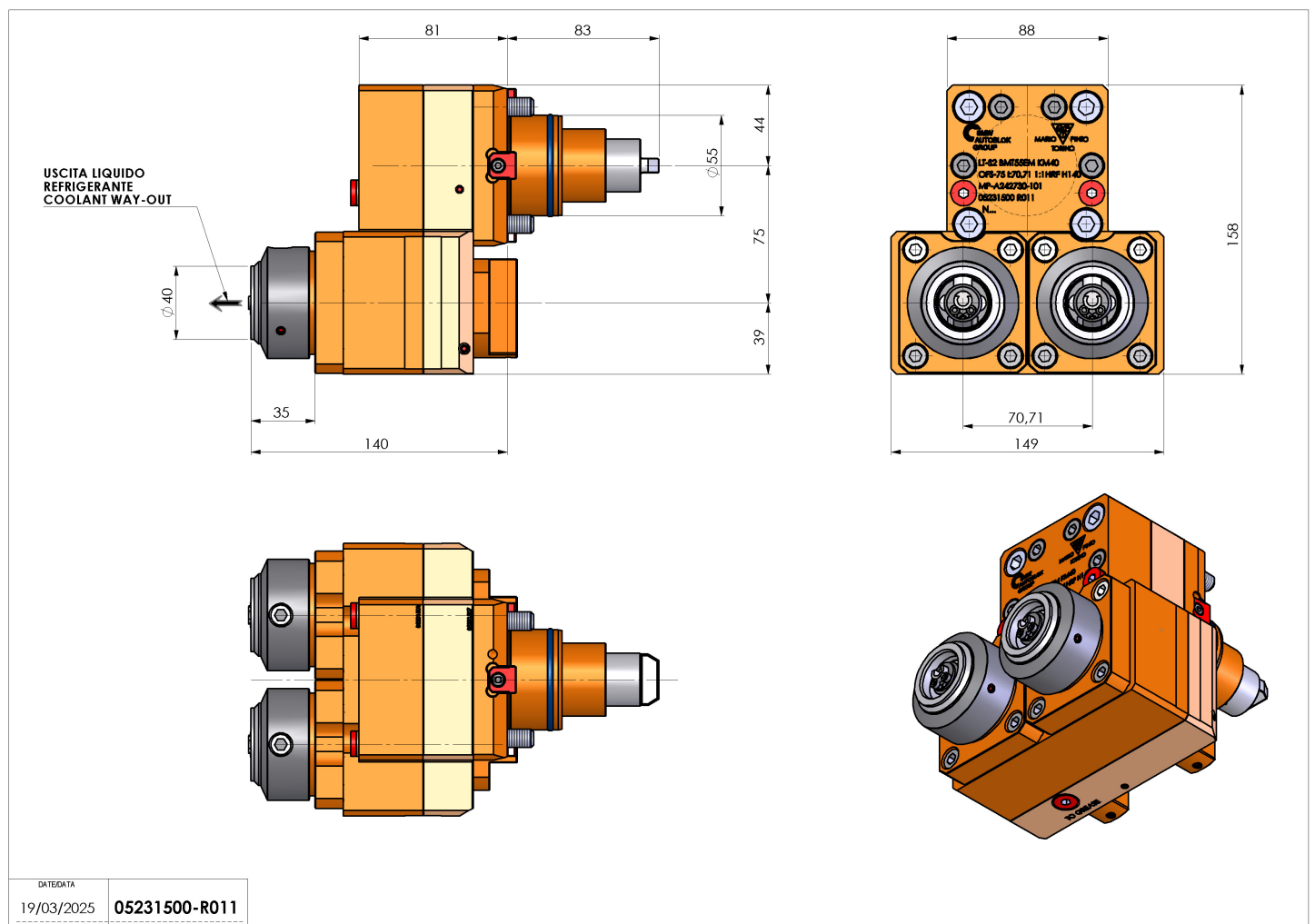


05231500 - LT-S2 BMT55EM KM40 OFS-75 I:70,711:1 HRF H140 MP-A242730-101

Type	LT-S2 Tool holder double straight
Mounting	BMT 55 EM
Tool output	Quick Change KM40
Coolant	HRF Internal coolant
Offset [mm]	75
Direction of rotation	r1 r2 r3
Max speed [rpm]	6000
Max torque [Nm]	60
Ratio	1:1
H [mm]	140
Max pressure [bar]	80
Accessories	N.A.
Notes	N.A.
Mounting tips	N.A.



Always check live tool dimensions on the turret



DATE/DATA	19/03/2025
	05231500-R011

Subject to technical changes