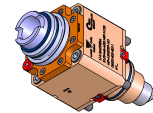
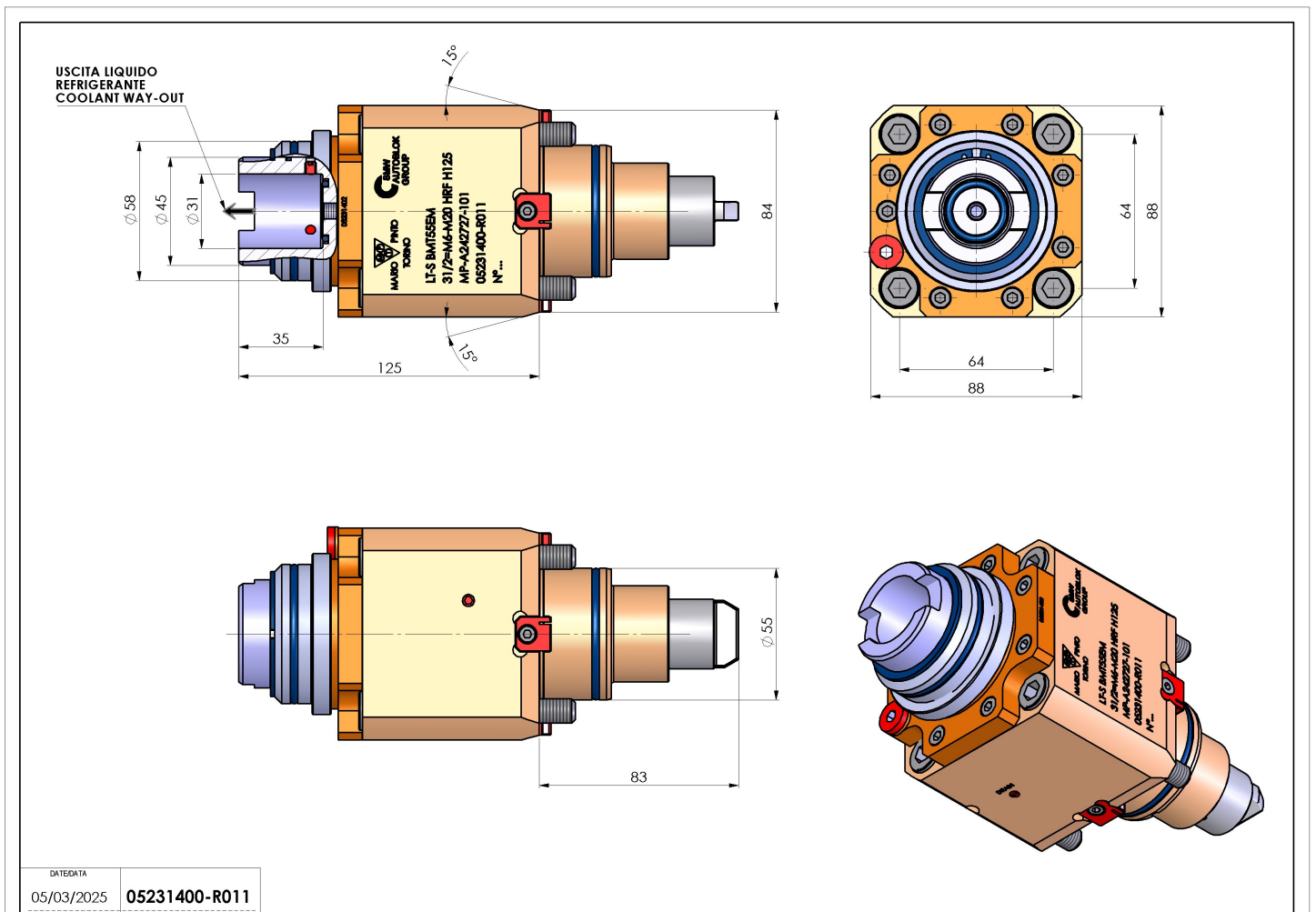


05231400 - LT-S BMT55EM 31/2=M6-M20 HRF H125 MP-A242727-101

Type	LT-S Tool holder straight
Mounting	BMT 55 EM
Tool output	Bush for tapping
Coolant	HRF Internal coolant
Direction of rotation	r1 r2
Max speed [rpm]	6000
Max torque [Nm]	60
Ratio	1:1
H [mm]	125
Max pressure [bar]	70
Accessories	N.A.
Notes	N.A.
Mounting tips	N.A.



Always check live tool dimensions on the turret



Subject to technical changes