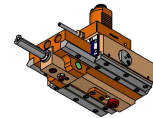


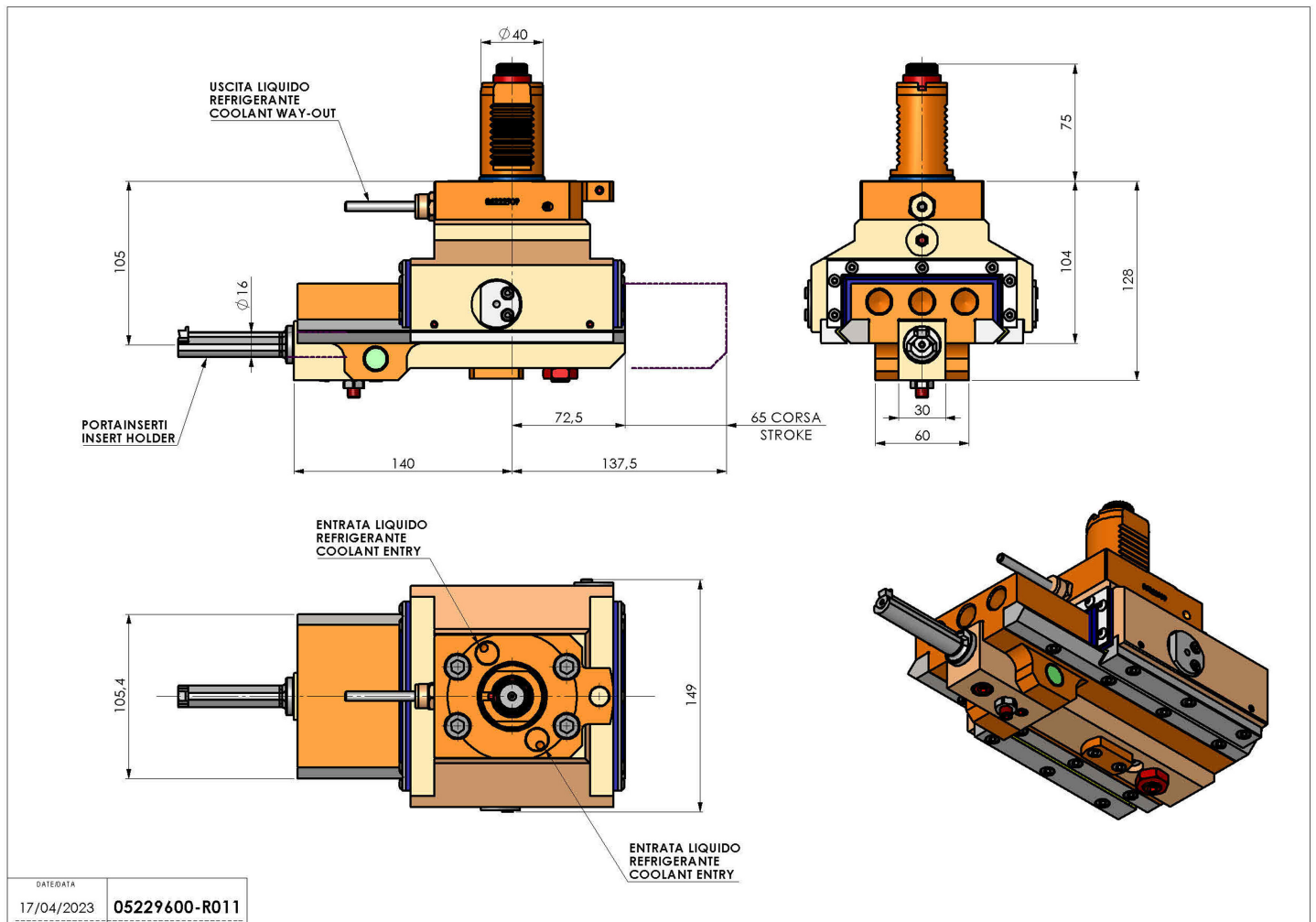
05229600 - LT-A ST65 VDI40 C16 H105 5480

Type	LT-A ST Slotting tool 90°
Mounting	VDI 40
Tool output	Tool diameter 16
Coolant	External coolant
Max speed [rpm]	500
Max torque [Nm]	17,5
Ratio	1:1
Y axis adjustment	NO
Feed pushing [N]	1000
Stroke [mm]	65
Work stroke [mm]	60
H [mm]	105
Accessories	N.A.
Notes	N.A.
Mounting tips	N.A.



ATTENTION: CHECK THE ORIENTATION OF THE VDI TEETH

Always check live tool dimensions on the turret



DATE DATA
17/04/2023 05229600-R011

Subject to technical changes