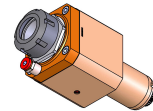


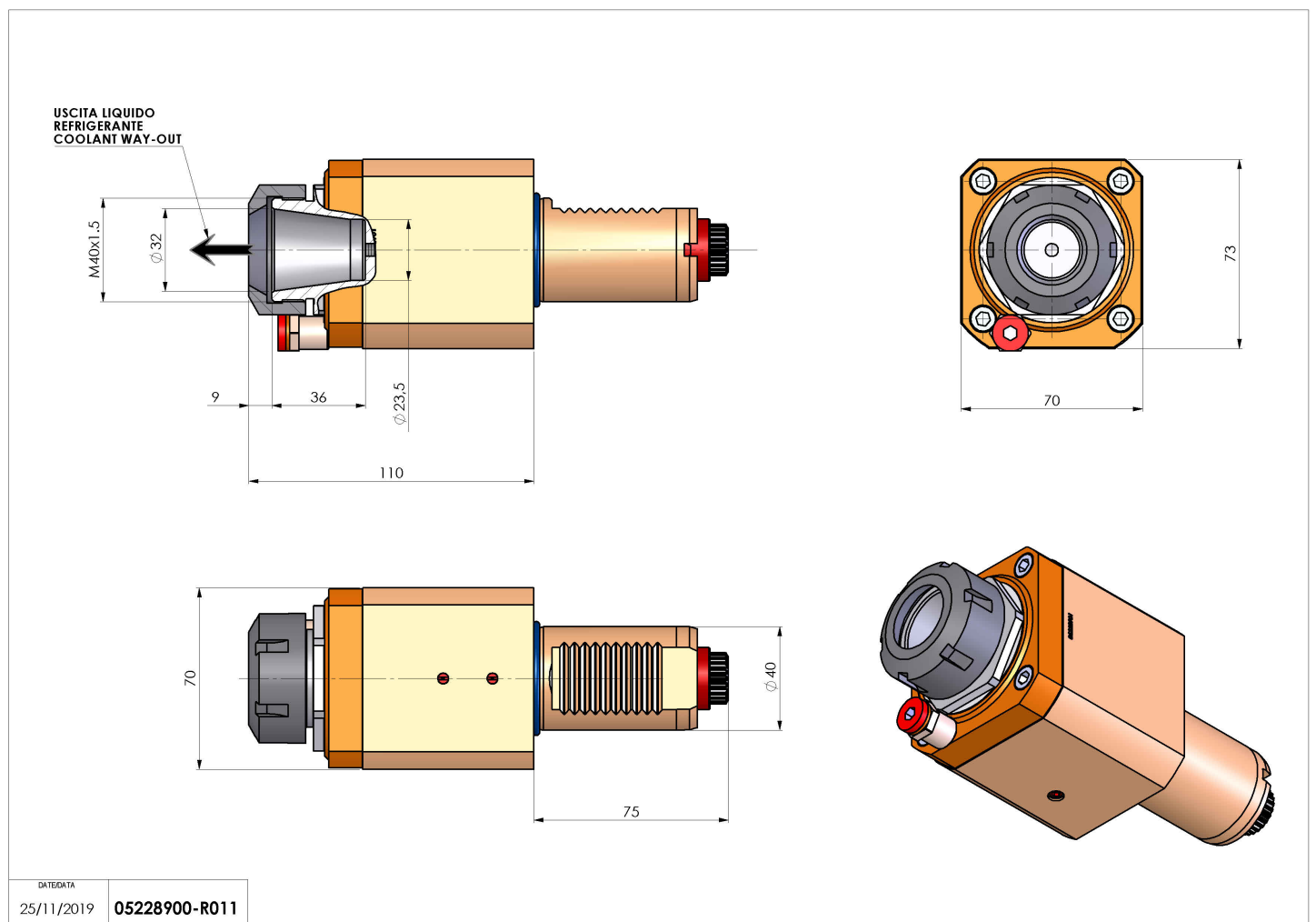
## 05228900 - LT-S VDI40 ER32 HRF H110 5480

|                       |                               |
|-----------------------|-------------------------------|
| Type                  | LT-S<br>Tool holder straight  |
| Mounting              | VDI 40                        |
| Tool output           | Collet nut ER 32              |
| Coolant               | HRF Internal/external coolant |
| Direction of rotation | r1 ↻ r2 ↻                     |
| Max speed [rpm]       | 6000                          |
| Max torque [Nm]       | 40                            |
| Ratio                 | 1:1                           |
| H [mm]                | 110                           |
| Max pressure [bar]    | 70                            |
| Accessories           | N.A.                          |
| Notes                 | N.A.                          |
| Mounting tips         | N.A.                          |



**ATTENTION: CHECK THE ORIENTATION OF THE VDI TEETH**

Always check live tool dimensions on the turret



Subject to technical changes