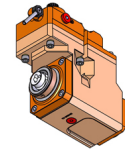
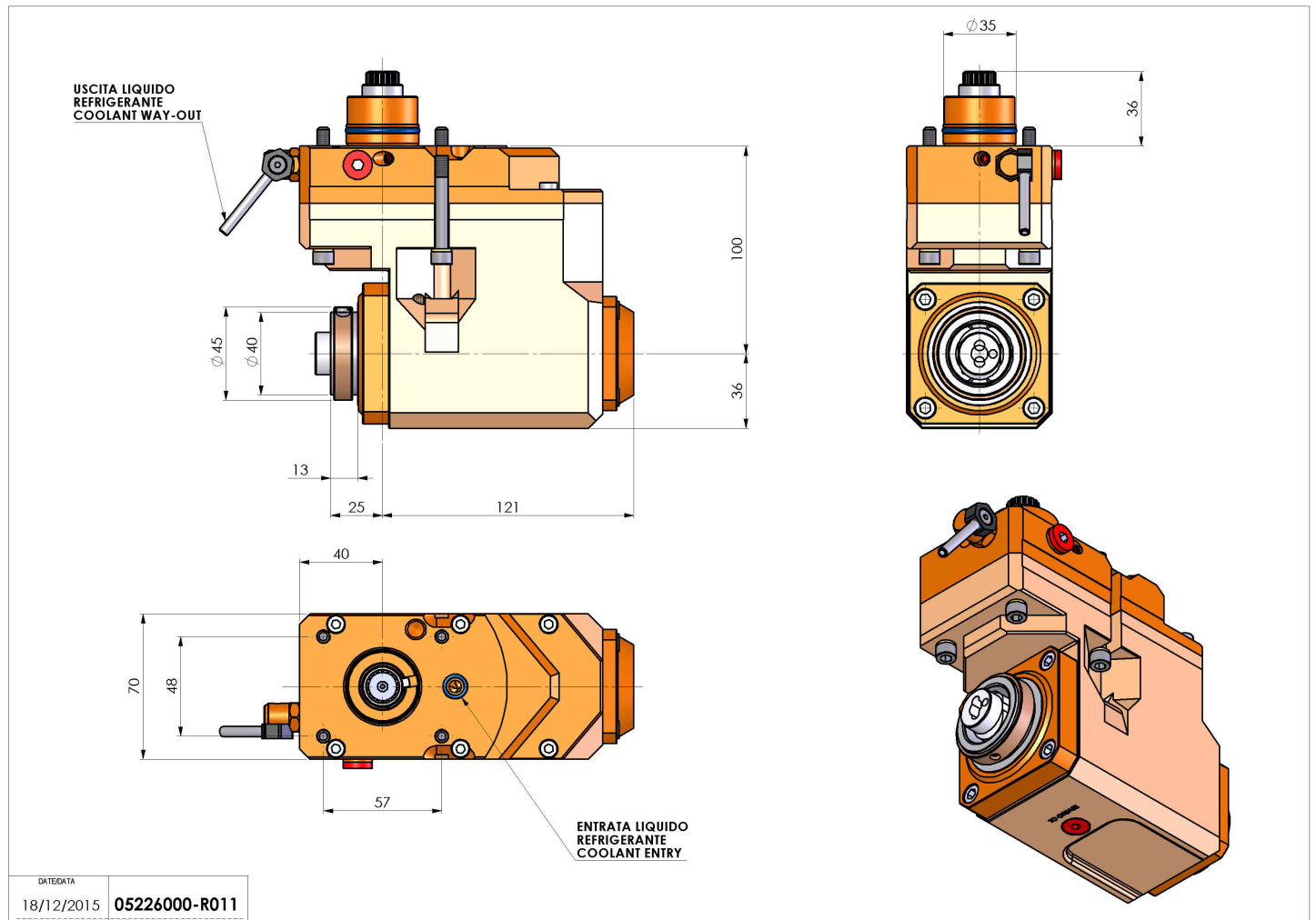


05226000 - LT-A D35 HSK40 OFS H100 5480SA

Type	LT-A OFS Tool holder offset angle 90°
Mounting	CYLINDRICAL SHANK 35
Tool output	Quick Change HSK40
Coolant	External coolant
Direction of rotation	r1 ↻ r2 ↻
Max speed [rpm]	6000
Max torque [Nm]	63
Ratio	1:1
H [mm]	100
H1 [mm]	36
Accessories	N.A.
Notes	N.A.
Mounting tips	N.A.



Always check live tool dimensions on the turret



DATE/DATE	18/12/2015
	05226000-R011

Subject to technical changes