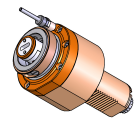


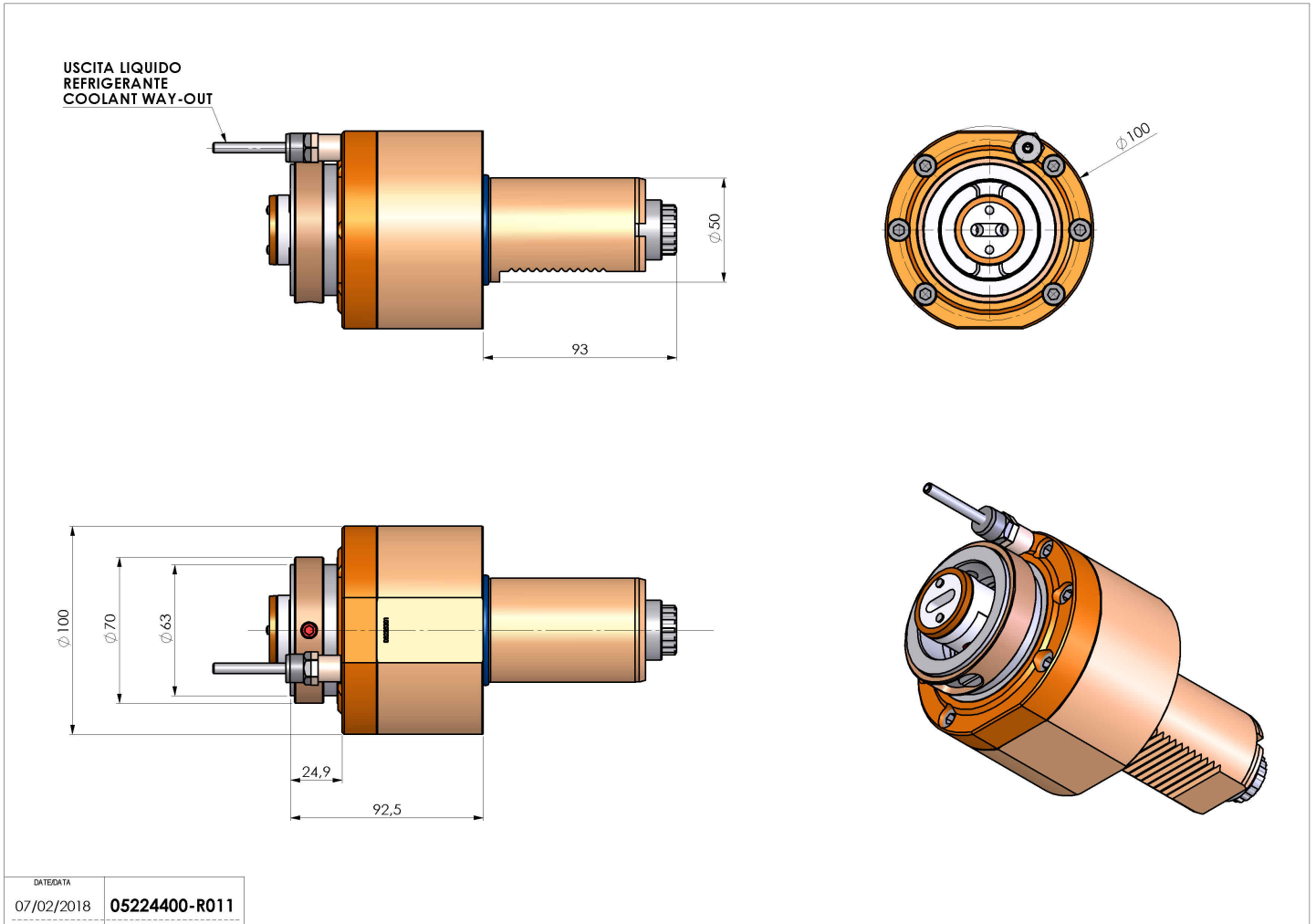
05224400 - LT-S VDI50 HSK63 H93

Type	LT-S Tool holder straight
Mounting	VDI 50
Tool output	Quick Change HSK63
Coolant	External coolant
Direction of rotation	r1  r2 
Max speed [rpm]	6000
Max torque [Nm]	63
Ratio	1:1
H [mm]	93
Accessories	
Notes	N.A.
Mounting tips	N.A.



ATTENTION: CHECK THE ORIENTATION OF THE VDI TEETH

Always check live tool dimensions on the turret



DATE/DATE	07/02/2018	05224400-R011
-----------	------------	---------------

Subject to technical changes