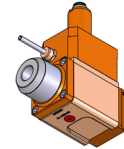


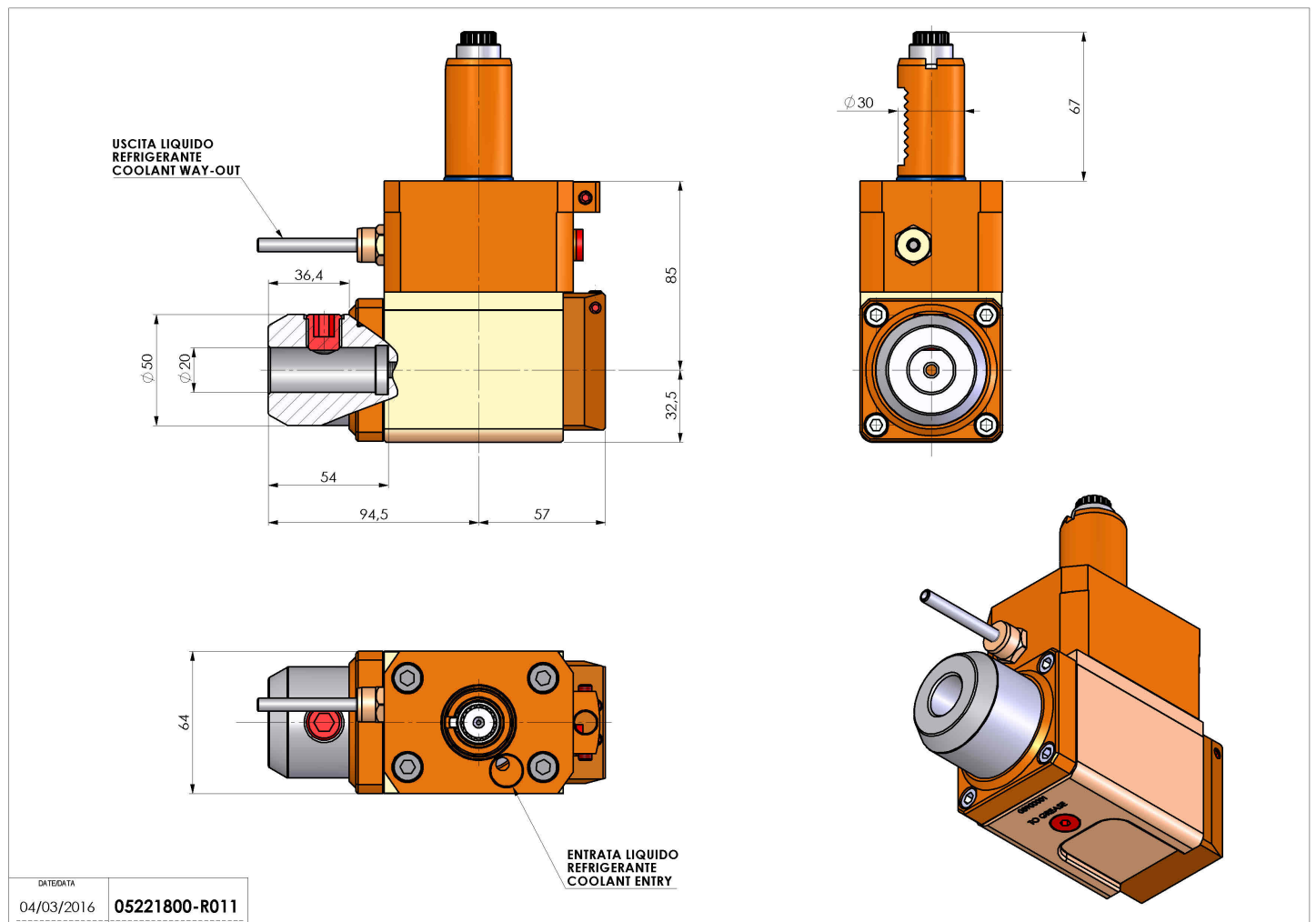
05221800 - LT-A VDI30 WLD20 H85 DIN 5480

Type	LT-A Tool holder angle 90°
Mounting	VDI 30
Tool output	Weldon 20 DIN1835B
Coolant	External coolant
Direction of rotation	r1 ↻ r2 ↻
Max speed [rpm]	6000
Max torque [Nm]	30
Ratio	1:1
H [mm]	85
H1 [mm]	32,5
Accessories	N.A.
Notes	N.A.
Mounting tips	Verify VDI position betw. turret and live tool



ATTENTION: CHECK THE ORIENTATION OF THE VDI TEETH

Always check live tool dimensions on the turret



DATE/DATA	04/03/2016
05221800-R011	

Subject to technical changes